



SD8 - DLS8
Sectional directional
control valves
TECHNICAL CATALOGUE



Features

SD8

Simple, compact and heavy duty designed sectional valve from 1 to 14 sections for open and closed centre hydraulic systems.

- Fitted with a main pressure relief valve and a load check valve on every working section.
- Available with parallel, tandem or series circuit.
- Optional carry-over port.
- A wide range of port and circuit valves.
- Intermediate sections for several types of circuit.
- Available manual, pneumatic, hydraulic, electro-hydraulic, and remote with flexible cable spool control kits.
- Diameter 18 mm (*0.71 in*) interchangeable spools.

DLS8

These Load-Sensing directional valves are fitted with compensator in the inlet section.

They are made using the SD8 working sections.

They can be used both with fixed displacement pumps (open centre version) and variable displacement pumps (closed centre version).

Ports valves and control kits are the same as SD8 directional valve.

Additional information

This catalogue shows the product in the most standard configurations.

Please contact our Sales Dpt. for more detailed information or special requests.

WARNING!

All specifications of this catalogue refer to the standard product at this date.

Walvoil, oriented to a continuous improvement, reserves the right to discontinue, modify or revise the specifications, without notice.

WALVOIL IS NOT RESPONSIBLE FOR ANY DAMAGE CAUSED BY AN INCORRECT USE OF THE PRODUCT.

2nd edition June 2018

SD8

- Valve general information	
Working conditions	page 4
Standard threads	page 4
Dimensional data	page 5
Performance data	page 5
Hydraulic circuit	page 6
Complete section ordering codes	page 8
- Inlet section	
Part ordering codes	page 10
Dimensional data and hydraulic circuit	page 13
Inlet relief valve options	page 17
Inlet valve options	page 19
- Working section	
Part ordering codes	page 22
Dimensional data and hydraulic circuit	page 24
Spools	page 25
"A" side spool positioners	page 27
"B" side options	page 38
Complete controls	page 41
Port valves	page 42
- Intermediate section	
DFG compensated flow regulator	page 44
EI service relief valve section	page 45
CST mid return manifold section	page 46
CS1 mid return manifold section	page 46
- Outlet section	
Part ordering codes	page 47
Dimensional data and hydraulic circuit	page 47

DLS8

- Valve general information	
Working conditions	page 49
Standard threads	page 49
Dimensional data	page 50
Performance data	page 50
Hydraulic circuit	page 51
Complete section ordering codes	page 52
- Inlet section	
Part ordering codes	page 53
Dimensional data and hydraulic circuit	page 54
Load Sensing relief valve	page 55
- Working section	
Part ordering codes	page 56
Dimensional data and hydraulic circuit	page 58
Spools	page 58
"A" side spool positioners	page 27
"B" side options	page 38
Complete controls	page 41
- Outlet section	
Part ordering codes	page 59
Dimensional data and hydraulic circuit	page 59
- Installation and maintenance	pag. 60
- Accessories	pag. 61

Working conditions

This catalogue shows technical specifications and diagrams measured with mineral oil of 46mm²/s (46 cSt) viscosity at 40°C (104°F) temperature.

Nominal flow rating		90 l/min	24 US gpm
Max. pressure		315 bar	4600 psi
Back pressure (max.)	on outlet T port	25 bar	360 psi
Internal leakage A(B)⇒T (standard)	Δp = 100 bar	3 cm ³ /min	0.18 in ³ /min
Fluid		Mineral base oil	
Fluid temperature	with NBR (BUNA-N) seals	from -20°C to 80°C	from -4°F to 176°F
	with FPM (VITON) seals	from -20°C to 100°C	from -4°F to 212°F
Viscosity	operating range	from 15 to 75 mm ² /s	from 15 to 75 cSt
	min.	12 mm ² /s	12 cSt
	max.	400 mm ² /s	400 cSt
Max. contamination level		-/19/16 - ISO 4406	NAS 1638 - class 10
Environmental temperature for working conditions		from -40°C to 60°C	from -40°F to 140°F
Tie rod tightening torque (wrench 13)		30 Nm	22 lbft

NOTE - For different conditions please contact our Sales Dept.

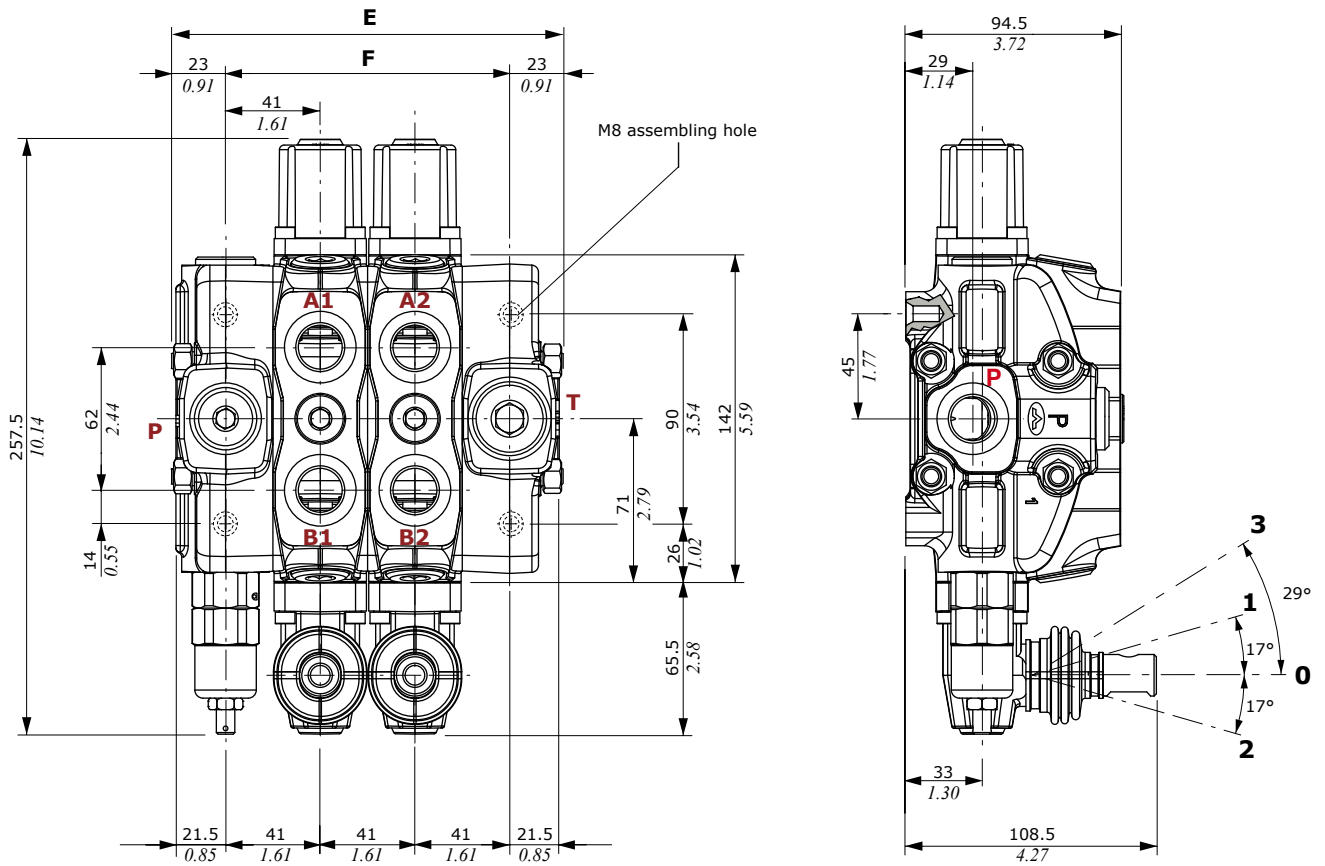
Standard threads

REFERENCE STANDARD					
		BSP	UN-UNF	METRIC	NPTF
THREAD ACCORDING TO		ISO 228/1	ISO 263	ISO 262	ANSI B1.20.3
		BS 2779	ANSI B1.1 unified		
CAVITY DIMENSION ACCORDING TO	ISO	1179-1	11926-1	9974-1	
	SAE		J1926-1	J2244	J476a
	DIN	3852-2, X or Y shape		3852-1, X or Y shape	

PORT THREADING			
MAIN PORTS	BSP	UN-UNF	METRIC
P inlet	G 1/2	7/8-14 (SAE 10)	M18x1.5
A and B ports	G 1/2	3/4-16 (SAE 8)	M18x1.5
T outlet and C carry-over	G 3/4	7/8-14 (SAE 10)	M22x1.5
PILOT PORTS			
Hydraulic	G 1/4	9/16-18 (SAE 6)	G 1/4
Pneumatic	NPTF 1/8-27	NPTF 1/8-27	NPTF 1/8-27

NOTES - AC/SN and AD/VP inlet sections and mid return manifold sections have different threads. See page 8 and page 44.

Dimensional data

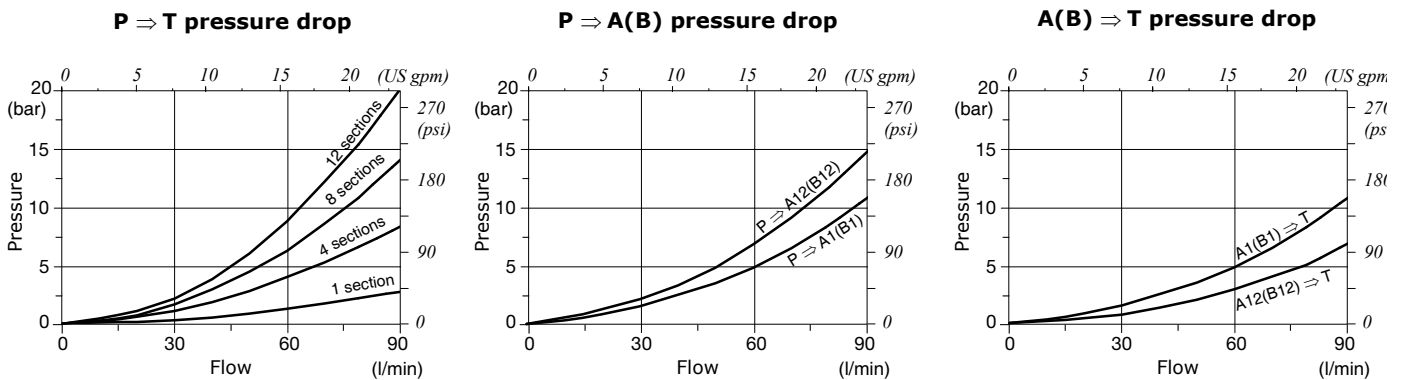


NOTE - Drawings and dimensions are referred to **BSP** thread configuration.

TYPE	E		F		Weight	
	mm	in	mm	in	Kg	lb
SD8/1	128	5.04	82	3.23	7.2	15.9
SD8/2	169	6.65	123	4.84	10.5	23.1
SD8/3	210	8.27	164	6.46	13.8	30.4
SD8/4	251	9.88	205	8.07	17.1	37.7
SD8/5	292	11.5	246	9.69	20.1	44.3
SD8/6	333	13.11	287	11.3	23.4	51.6
SD8/7	374	14.72	328	12.91	26.7	58.9

TYPE	E		F		Weight	
	mm	in	mm	in	Kg	lb
SD8/8	415	16.34	369	14.53	30	66.1
SD8/9	456	17.95	410	16.14	33.3	73.4
SD8/10	497	19.57	451	17.74	36.6	80.7
SD8/11	538	21.18	492	19.37	39.9	88
SD8/12	579	22.79	533	20.98	43.2	95.3
SD8/13	620	24.41	574	22.60	46.5	102.5
SD8/14	661	26.02	615	24.21	49.8	109.8

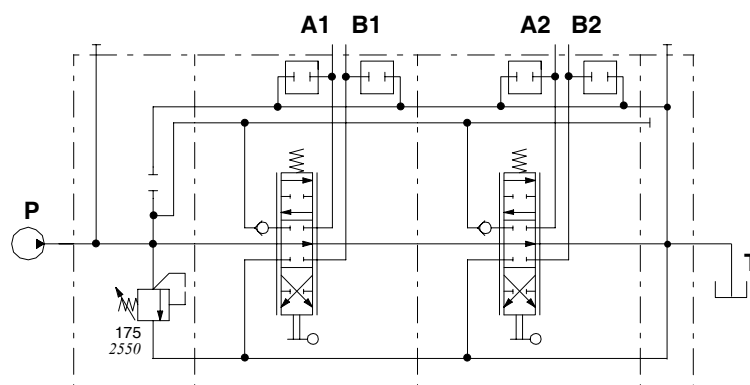
Performance data



Hydraulic circuit

Parallel circuit

Standard configuration with open centre and side inlet and outlet.

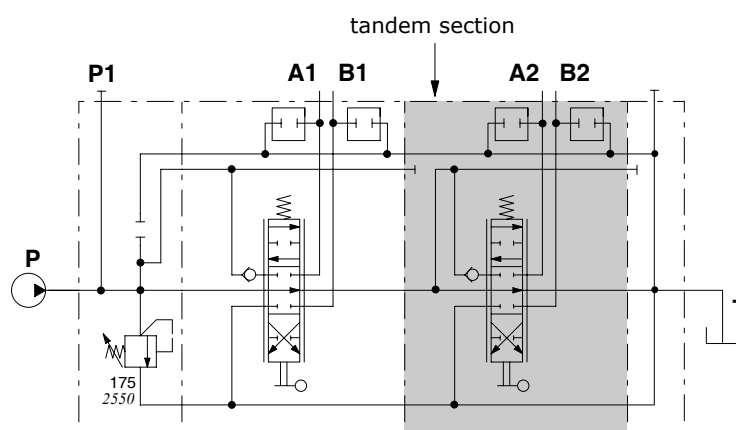


Description example:
SD8/2/AC(YG3-175)/18L/18L/RC

Series-parallel (tandem) circuit

A special working section kit is required.

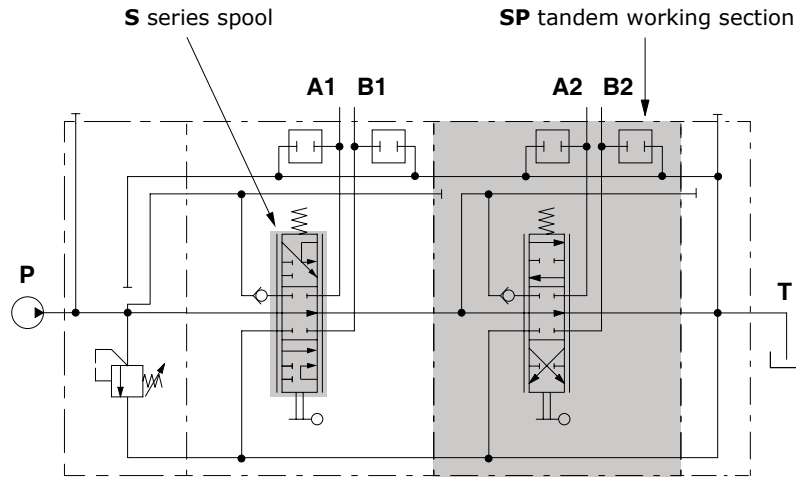
Tandem section is fed by the free flow pressure line; it is excluded when an upstream section is operated.



Description example:
SDS8/2/AC(YG3-175)/18L/SP-18L/RC

Series circuit

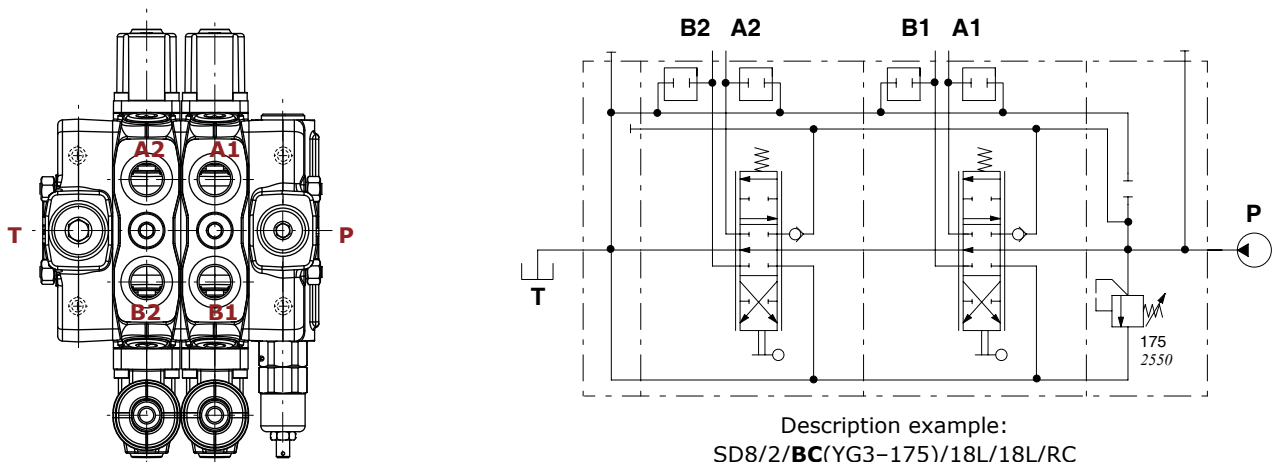
It is obtained by mounting a 1S series spool (or 2S, see pages 22 and 26) on a standard parallel section. The next section must be a series-parallel (tandem) one.



Description example:
SD8/2/AC(YG3-175)/1S8L/SP-18L/S-18L/RC

NOTE - The flows P → A and P → B, on the series spool, are reversed.

Directional valve with right inlet



Description example:
SD8/2/BC(YG3-175)/18L/18L/RC

Complete section ordering codes

Standard configuration with side inlet and outlet

SD8 / 2 / AC(YG3-175) / 18L / DFG / 18L / RC - - STAF

Nr. of working
sections

1

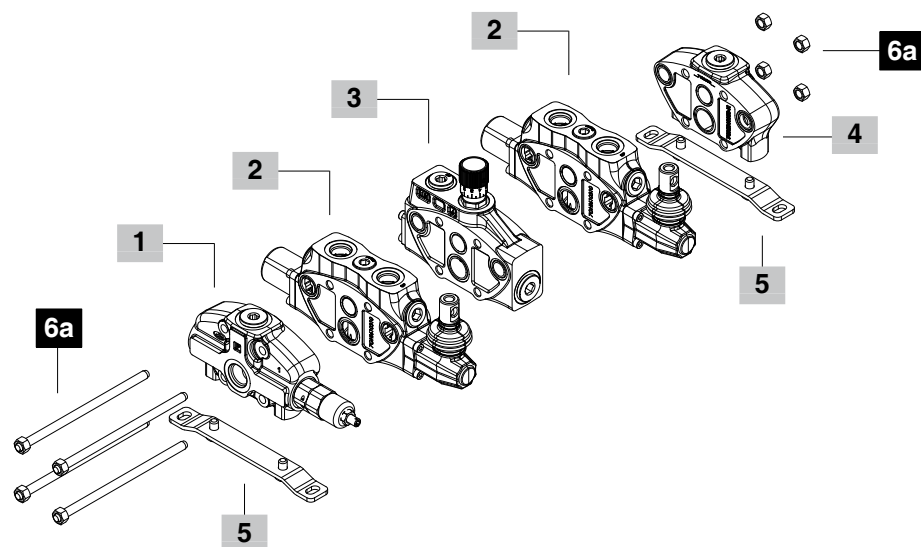
2

3

4

10

5

**1 Inlet section *** page 12

TYPE	CODE	DESCRIPTION
AC(YG3-175)	613201007	Side inlet with direct pressure relief valve
AC(XG-120)	613201019	Side inlet with pilot operated pressure relief valve
AC(SV)	613201020	Side inlet with valve blanking plug
AC(YG3-120)SN	613201150	Side inlet with flow regulator, G3/4 P port
AD/VP(LSZ-230)ELN-12VDC	613201035	Upper inlet with priority valve, G3/4 P and T ports

For special configuration please see page 12

2 Working section * page 22

TYPE	CODE	DESCRIPTION
Q-18L	613151001	Parallel circuit, double acting spool with spring return, lever control
P-18L	613101001	As previous one, arranged for port valves ("P" omitted in description)
P-1S8L	613111001	As previous one, with series circuit spool ("P" omitted in description)
SP-18L	613121002	As previous one, with series-parallel (tandem) circuit
P-1M8IM	613101022	Parallel circuit, arranged for port valves, double acting spool, proportional hydraulic control

3 Intermediate section page 44

TYPE	CODE	DESCRIPTION
DFG	613410011	Pressure compensated flow divider section
E11(YG2-125)	613421010*	With direct overpressure relief valve
E12(YG3-175)	613421020*	With direct overpressure relief valve and auxiliary inlet

4 Outlet section * page 47

TYPE	CODE	DESCRIPTION
RC	613300110	With side outlet
RD	613300112	With upper outlet
RE	613300111	With upper outlet and side carry-over sleeve
RK	613300120	With upper outlet, closed centre
RV	613300122	With back pressure valve the combination with electro-hydraulic control is required

5 Fixing bracket page 64

TYPE	CODE	DESCRIPTION
STAF	5STA125190	Brackets with fixing screws

6a Assembling kit

CODE	DESCRIPTION
5TIR108128	Tie rod kit for 1 working section directional valve
5TIR108169	Tie rod kit for 2 working section directional valve
5TIR108210	Tie rod kit for 3 working section directional valve
5TIR108251	Tie rod kit for 4 working section directional valve
5TIR108292	Tie rod kit for 5 working section directional valve
5TIR108333	Tie rod kit for 6 working section directional valve
5TIR108374	Tie rod kit for 7 working section directional valve
5TIR108415	Tie rod kit for 8 working section directional valve
5TIR108456	Tie rod kit for 9 working section directional valve
5TIR108497	Tie rod kit for 10 working section directional valve
5TIR108538	Tie rod kit for 11 working section directional valve
5TIR108579	Tie rod kit for 12 working section directional valve
5TIR108620	Tie rod kit for 13 working section directional valve
5TIR108661	Tie rod kit for 14 working section directional valve

Assembling kit for VP inlet section

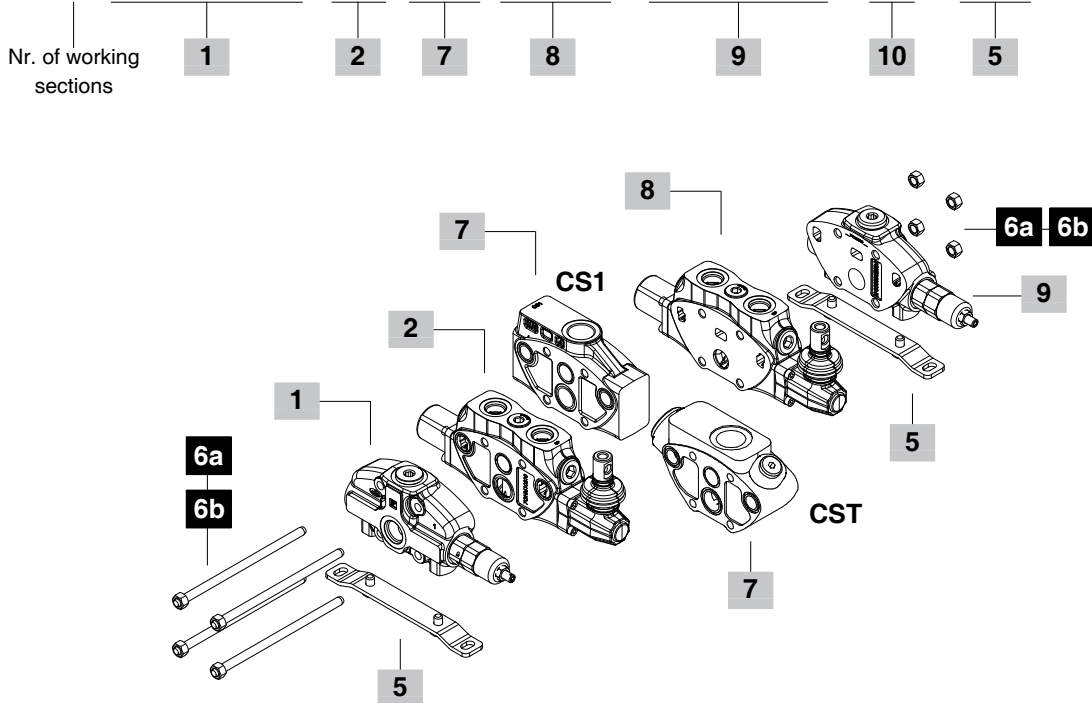
5TIR108137	Tie rod kit for 2 working section directional valve
5TIR108179	Tie rod kit for 3 working section directional valve
5TIR108219	Tie rod kit for 4 working section directional valve

For different number of working section please contact our Sales Dept.

NOTE (*) – Codes are referred to **BSP** thread.

Configuration with 2 side inlets and mid return manifold

SD8 / 2 / AC(YG3-175) / 18L / CS1 / ED-18L / BC(YG3-175) - - STAF



6b Assembling kit

CODE	DESCRIPTION
5TIR108260	Tie rod kit for 3 working section directional valve (+CST)
5TIR108301	Tie rod kit for 4 working section directional valve (+CST)
5TIR108342	Tie rod kit for 5 working section directional valve (+CST)
5TIR108382	Tie rod kit for 6 working section directional valve (+CST)
5TIR108424	Tie rod kit for 7 working section directional valve (+CST)
5TIR108465	Tie rod kit for 8 working section directional valve (+CST)
5TIR108506	Tie rod kit for 9 working section directional valve (+CST)

7 Return manifold * page 46

TYPE	CODE	DESCRIPTION
CS1	613401010	Mid return manifold with G3/4 outlet port
CST	613401400	Mid return manifold with G1 outlet port

For **CS1** type **6a** assembling kit is required; for **CST** type **6b** assembling kit is required.

8 Right inlet working section *

TYPE	CODE	DESCRIPTION
Q-ED-18L	613151003	Parallel circuit, without arrangement for port valves, double acting spool with spring return, lever control
P-ED-18L	613101024	As previous one prearranged for port valves ("P" omitted in description)
P-ED-1S8L	613101133	As previous one with series circuit spool ("P" omitted in description)
SP-ED-18L	613121003	As previous one with series-parallel (tandem) circuit

9 Complete right inlet cover *

TYPE	CODE	DESCRIPTION
BC(YG3-175)	613201009	Side inlet with direct pressure relief valve
BC(XG-120)	613201133	Side inlet with pilot operated pressure relief valve
BC(SV)	613201134	Side inlet with valve blanking plug

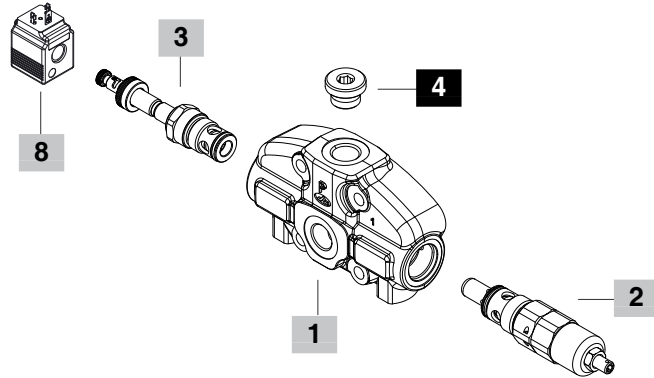
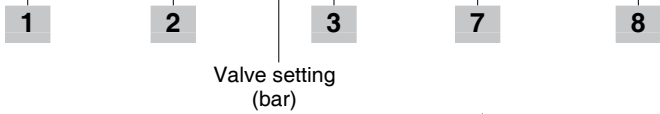
10 Valve threading

Specify only if it is different from BSP standard (see page 4)

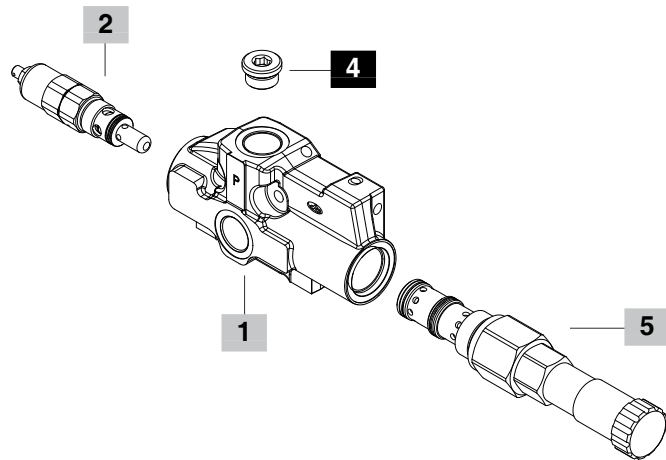
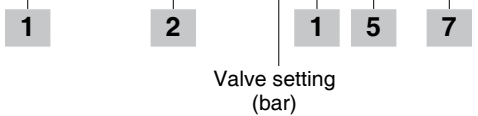
NOTES (*) - Codes are referred to **BSP** thread. Inlet sections and working sections for right inlet are different from the standard (see ref. **1** and **2**) because of different component assembling.

Part ordering codes

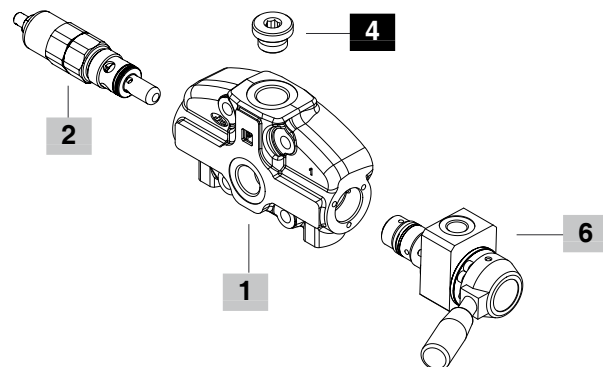
FE SD8 / AC (YG3 - 175) ELTW - - 12VDC



FE SD8 / AC (YG3 - 175) S N



FE SD8 / AC (YG3 - 175) R2



1 Inlet cover body * page 13

TYPE	CODE	DESCRIPTION
AC	3FIA108301	Standard body
AC/SN	3FIA108375	Arranged for flow regulator
AC/R2	3FIA108312	Arranged for rotary commutation

2 Inlet relief valve options page 17

Standard setting is referred to 10 l/min (2.6 US gpm).

TYPE	CODE	DESCRIPTION
SV	XTAP526340	Relief valve blanking plug
Type X pilot operated pressure relief valve		
(XGA-200)	X006211350	Fixed setting 200 bar (2900 psi)
Type Y pilot operated pressure relief valve (standard)		
(YG2-125)	3XCAR110212	Range 100-160 bar (1450-2300 psi) standard setting 125 bar (1800 psi)
(YG3-175)	3XCAR110213	Range 125-250 bar (1800-3600 psi) standard setting 175 bar (2500)
(YG4-220)	3XCAR110214	Range 200-315 bar (2900-4600 psi) standard setting 220 bar (3200 psi)

3 Inlet valve options page 20

TYPE	CODE	DESCRIPTION
-	XTAP526340	Relief valve blanking plug (omitted in description)
F	3XCAR410200	Inlet anti-cavitation valve
L	XCAR410311	Hydraulic operated unloader valve
Solenoid operated unloader valve		
ELTW	0EFW0062000	Push and twist type with detent emergency
ELNW	0EFW0062001	Without emergency
ELPW	0EFW0062002	Push-button emergency

4 Parts * page 13

TYPE	CODE	DESCRIPTION
-	3XTAP727180	G1/2 plug
-	3XTAP732200	G3/4 plug for S inlet cover
MAN1/8-MAN1/2	5MAN625220	G1/8 pressure gauge arrangement
MAN1/4-MAN1/2	5MAN627240	G1/4 pressure gauge arrangement

5 Flow control valve page 21

TYPE	CODE	DESCRIPTION
N	1636040203	Flow control valve with handwheel for S type inlet cover

6 Commutator * page 14

TYPE	CODE	DESCRIPTION
R2	5COM406202	Rotary commutator for arranged inlet cover

7 Section threading

Specify only if it is different from BSP standard (see page 4)

8 Coils page 61

TYPE	CODE	DESCRIPTION
12VDC	4SLE001200A	BER type 12 VDC, ISO4400 connector

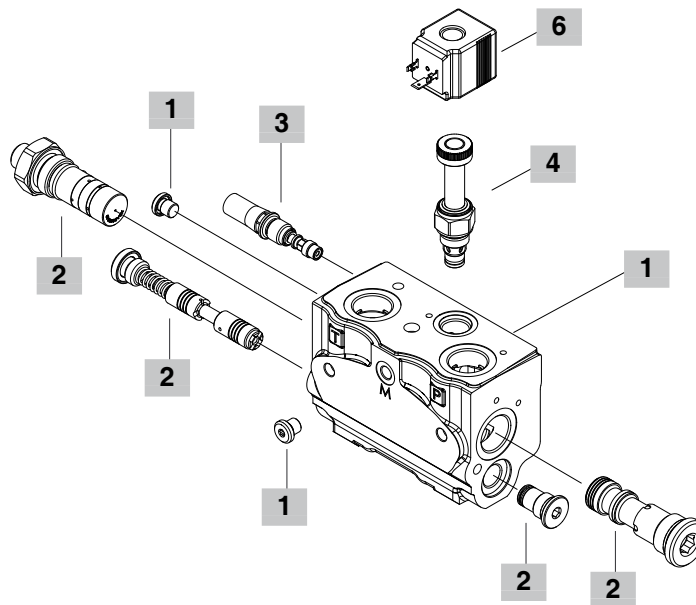
For complete available coil list please see page 61

NOTE (*) – Codes are referred to **BSP** thread.

Part ordering codes with VP inlet section

FE SD8 / AD / VP (LSZ - 230) ELN - - 12VDC

1
 2
 3
 4
 5
 6



1 Inlet cover body * page 16

TYPE	CODE	DESCRIPTION
AD/VP	5FIA108319-H	Arranged for priority valve

2 Compensator kit

TYPE	CODE	DESCRIPTION
VP	5CAS318067	Compensator kit

3 L.S. relief valve options page 18

Standard setting is referred to 10 l/min (2.6 US gpm)

TYPE	CODE	DESCRIPTION
LSD	XCAR126215	Range 40-180 bar (580-2600 psi) standard setting 90 bar (1300 psi)
	XCAR126213	Range 180-350 bar (2600-5000 psi) standard setting 180 bar (2600 psi)
LSH	XCAR126216	Range 40-180 bar (580-2600 psi) standard setting 90 bar (1300 psi)
	XCAR126217	Range 180-350 bar (2600-5000 psi) standard setting 180 bar (2600 psi)
LSZ	5CAR126221	Range 40-180 bar (580-2600 psi) standard setting 90 bar (1300 psi)
	5CAR126219	Range 130-350 bar (1900-5000 psi) standard setting 180 bar (2600 psi)
ST	5KIT126210	Relief valve blanking plug

4 Unloader valve options page 19

TYPE	CODE	DESCRIPTION
ELN	0EC08002031	Without emergency
ELV	0EC08002034	With screw emergency
ELP	0EC08002033	With push-button emergency
ELT	0EC08002035	With "twist & push" emergency
LT	XTAP510320	Valve blanking plug

5 Section threading

Specify only if it is different from BSP standard (see page 4)

6 Coils page 61

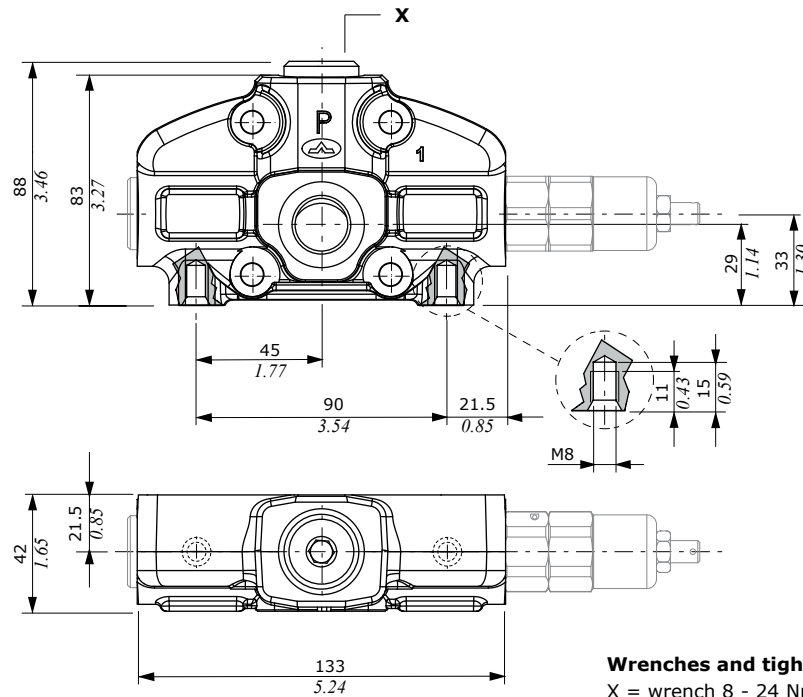
TYPE	CODE	DESCRIPTION
12VDC	4SLE001200A	BER type, 12 VDC, ISO4400 connector

For complete available coil list please see page 61

NOTE (*) - Codes are referred to **BSP** thread.

Dimensional data and hydraulic circuit

Standard inlet cover configuration

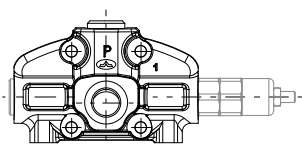
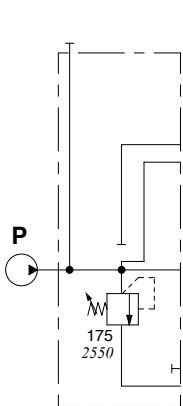


Wrenches and tightening torques

X = wrench 8 - 24 Nm (17.7 lbft)

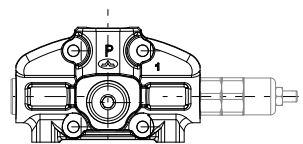
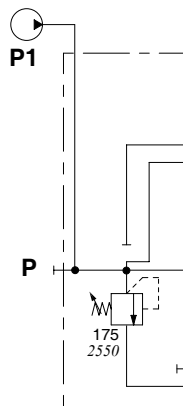
NOTE - for wrenches and tightening torques about valves please see dedicated pages.

For left inlet directional valve, side port



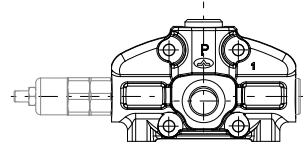
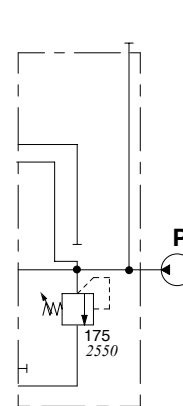
Description example:
AC(YG3-175)

For left inlet directional valve, upper port



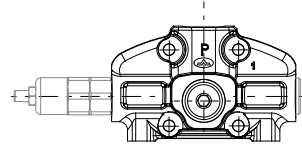
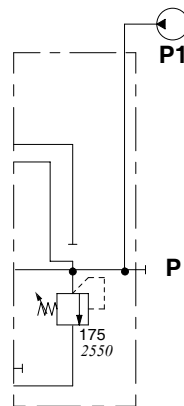
Description example:
AD(YG3-175)

For right inlet directional valve, side port



Description example:
BC(YG3-175)

For right inlet directional valve, upper port

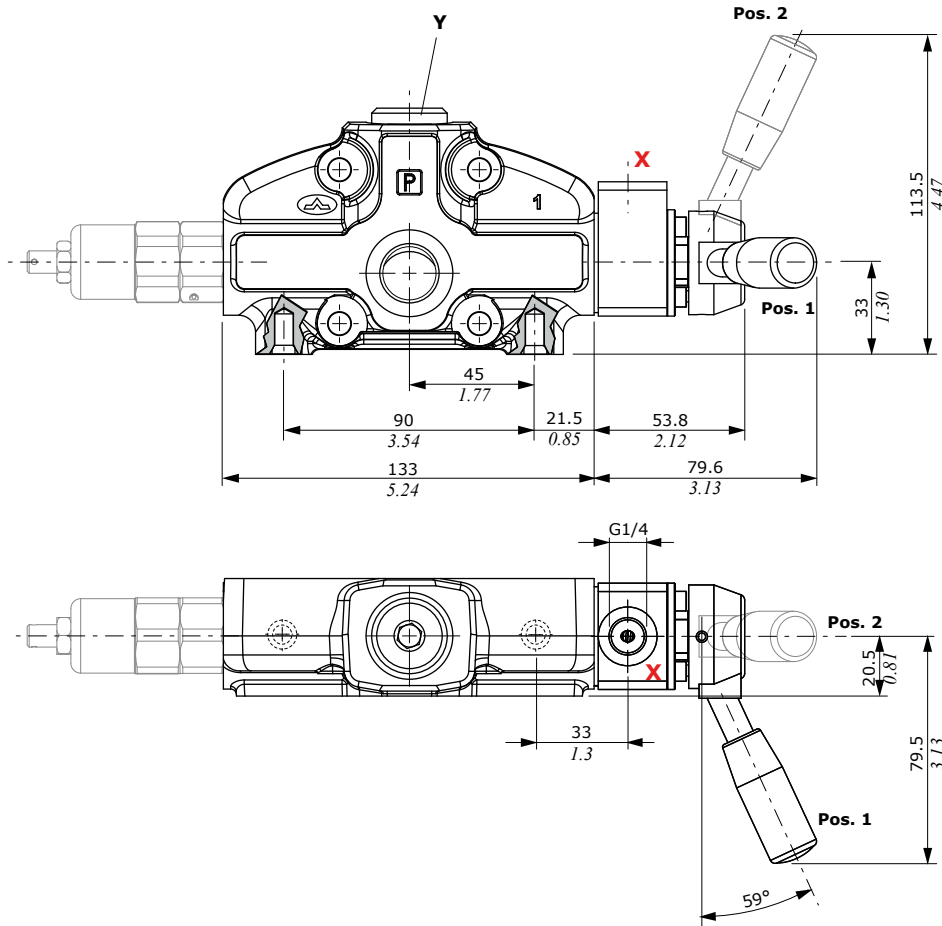


Description example:
BD(YG3-175)

Dimensional data and hydraulic circuit

For rotary commutator

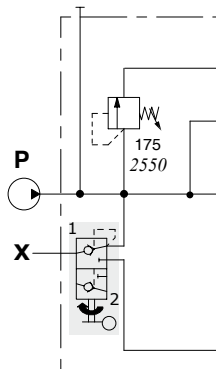
Drawing and circuit are referred to left inlet directional valve.



Wrenches and tightening torques

Y = wrench 8 - 24 Nm (17.7 lbf ft)

NOTE - for wrenches and tightening torques about valves please see dedicated pages.



Commutator features

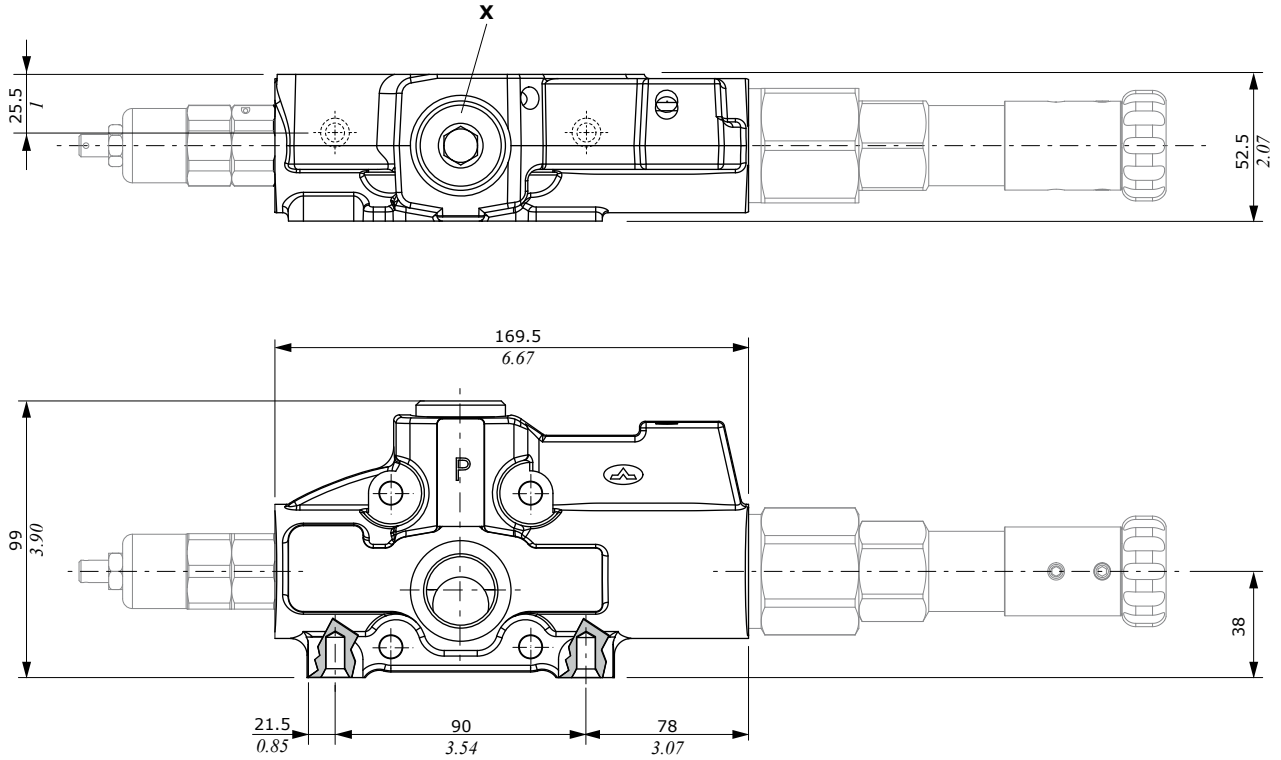
Max. pressure : 210 bar (3050 psi)

Internal leakage : 3 cm³/min @ 100 bar
(0.18 in³/min @ 1450 psi)

Dimensional data and hydraulic circuit

S type for flow regulator

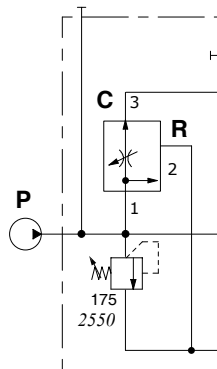
Drawing and circuit are referred to left inlet directional valve.



Wrenches and tightening torques

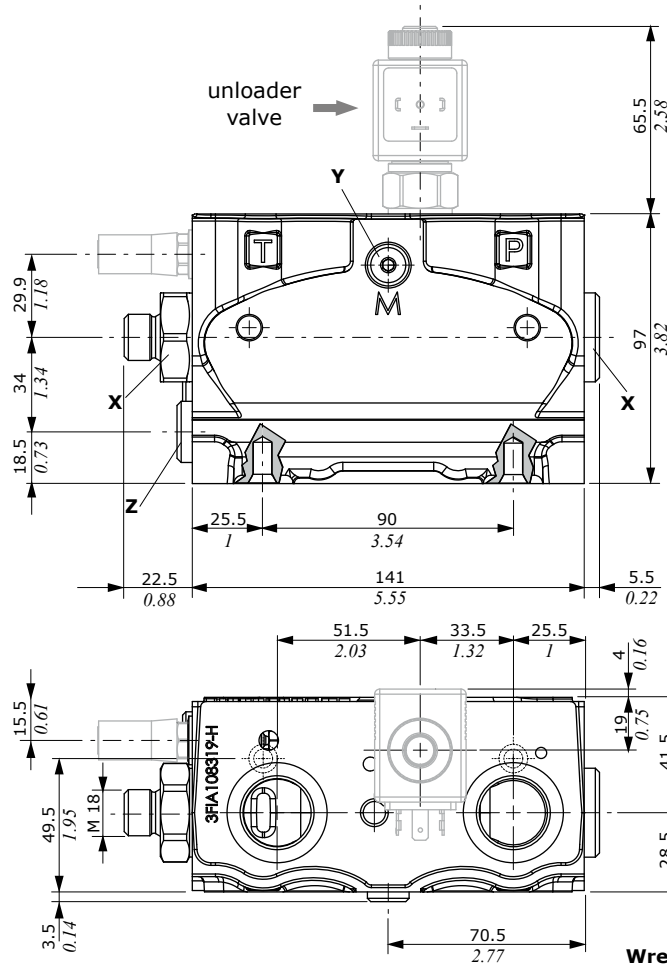
X = wrench 12 - 42 Nm (31 lbf)

NOTE - for wrenches and tightening torques about valves please see dedicated pages.



Configuration with priority valve

Dimensional data and hydraulic circuit



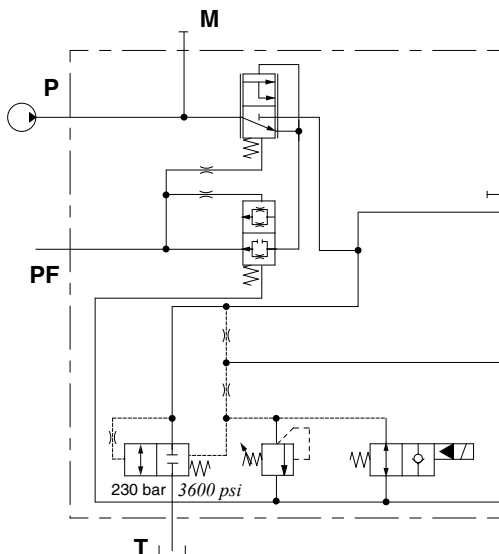
Wrenches and tightening torques

X = wrench 12 - 42 Nm (31 lbft)

Y = allen wrench 4 - 9.8 Nm (7.23 lbft)

Z = allen wrench 6 - 24 Nm (17.7 lbft)

NOTE - for wrenches and tightening torques about valves please see dedicated pages.



Features

Max. pressure. : 315 bar (4550 psi)

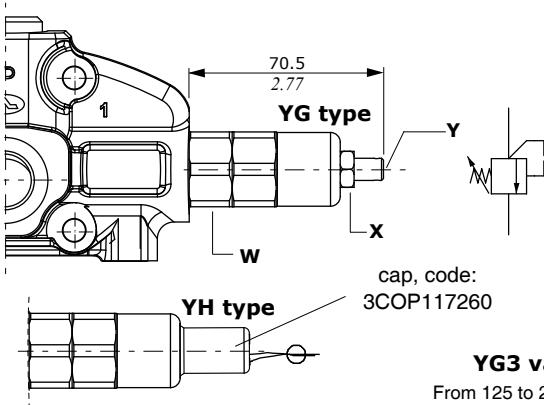
Internal leakage : 3 cm³/min @ 100 bar
(0.18 in³/min @ 1450 psi)

For BER type coil please see page 61

Inlet relief valve options

Y type direct overpressure relief valve

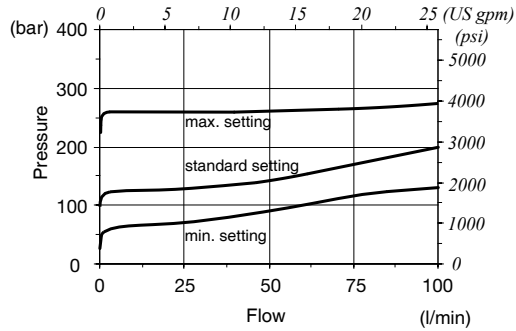
Configuration type:



cap. code:
3COP117260

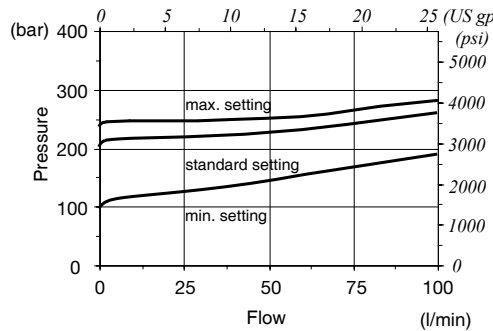
YG2 valve setting range

From 100 to 160 bar (from 1450 to 2300 psi)



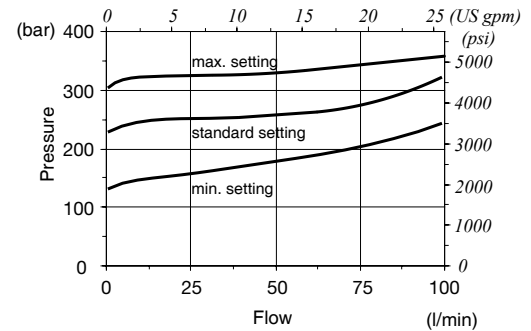
YG3 valve setting range

From 125 to 250 bar (from 1800 to 3600 psi)



YG4 valve setting range

From 200 to 315 bar (from 2900 to 4600 psi)



Legenda

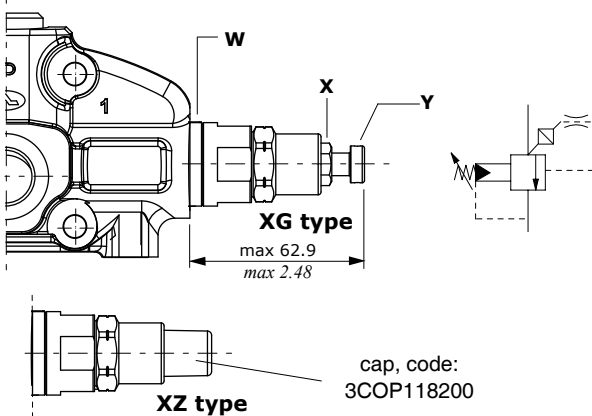
- YG: adjustable with screw
- YH: valve set and locked

Wrenches and tightening torques

- X = wrench 13 - 24 Nm (17.7 lbft)
- Y = allen wrench 4
- W = wrench 27 - 42 Nm (31 lbft)

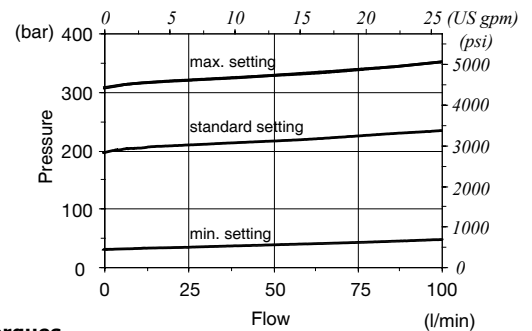
X type pilot operated pressure relief valve

Configuration type:



cap. code:
3COP118200

XGA valve setting range



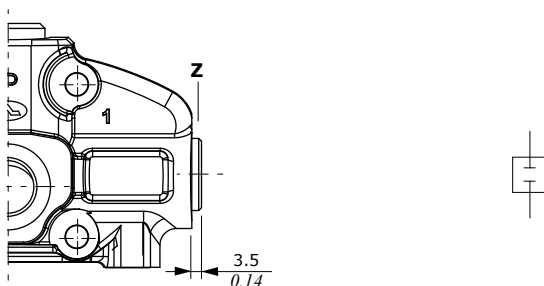
Legenda

- XG: adjustable with screw
- XZ: valve set and locked with tamper proof cap

Wrenches and tightening torques

- X = wrench 13 - 24 Nm (17.7 lbft)
- Y = allen wrench 6
- W = wrench 27 - 42 Nm (31 lbft)

SV relief valve blanking plug



Wrenches and tightening torques

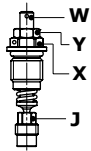
- Z = allen wrench 10 - 24 Nm (17.7 lbft)

Inlet relief valve options

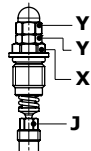
L.S. relief valves

For VP inlet section.

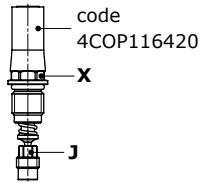
LSH type



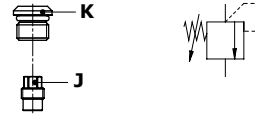
LSD type



LSZ type

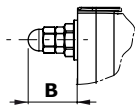


ST type



Wrenches and tightening torques

- X = wrench 13 - 42 Nm (31 lbft)
- Y = wrench 10 - 9.8 Nm (7.2 lbft)
- W = wrench 3
- J = wrench 7 - 24 Nm (17.7 lbft)
- K = wrench 5 - 24 Nm (17.7 lbft)

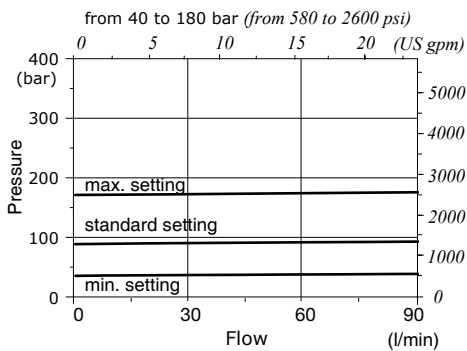


Type	Dim. B mm - in
LSD	21.5 - 0.85
LSH	17 - 0.67
LSZ	34 - 1.34

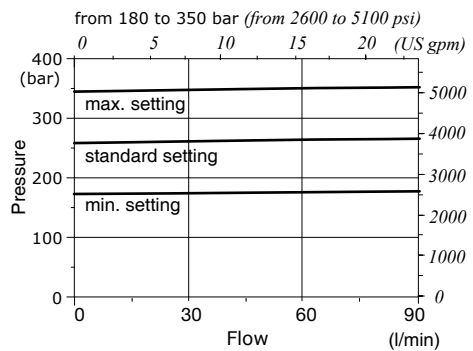
Legenda

- LSH : with screw adjustment
- LSD : with blind nut
- LSZ : with tamper proof cap
- ST : valve blanking plug

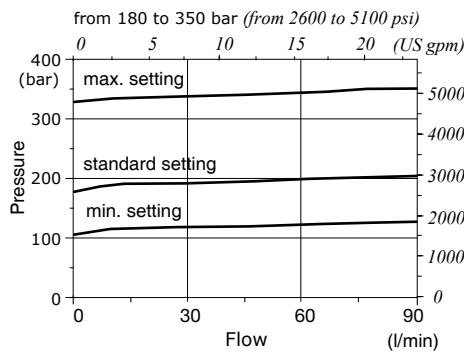
LSH, LSD and LSZ valves setting range



LSH and LSD valves setting range



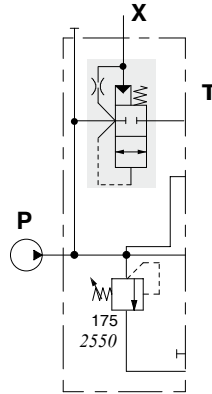
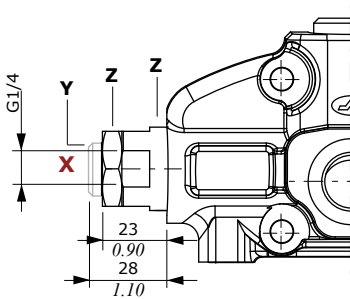
LSZ valve setting range



Inlet valve options

Unloader valve

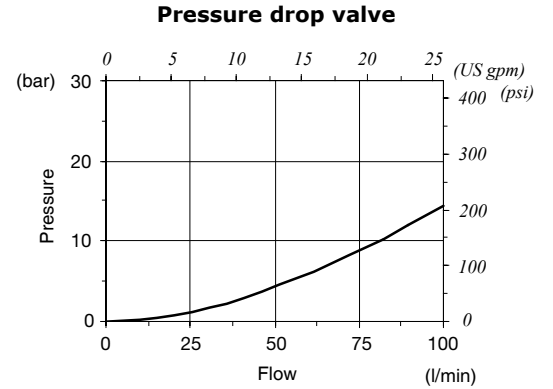
Hydraulic operated



Wrenches and tightening torques

Z = wrench 27 - 42 Nm (31 lbft)
 Y = allen wrench 6 - 24 Nm (17.7 lbft)

NOTE - For safety reasons the valve is supplied with blanking plug



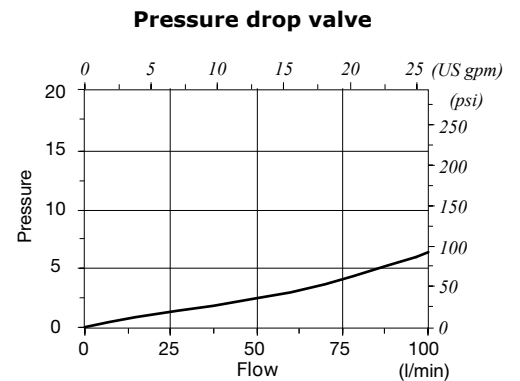
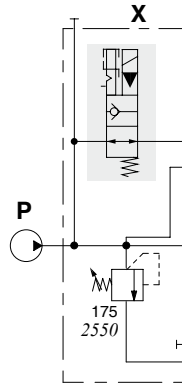
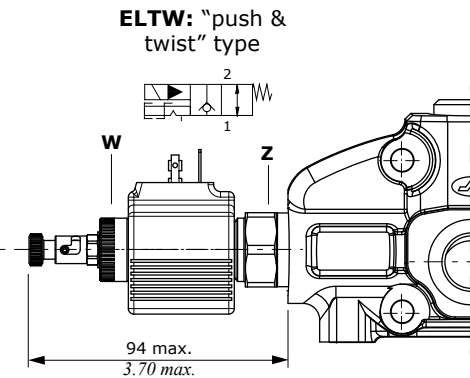
Features

Nominal flow : 90 l/min (24 US gpm)
 Internal leakage.. . . . : 18 cm³/min @ 100 bar
 (1.1 in³/min @ 1450 psi)

Solenoid operated

Emergency with push button and spring return; for detent position press and turn the button.

WARNING: the manual override option is intended for emergency use, not for continuous duty operation.



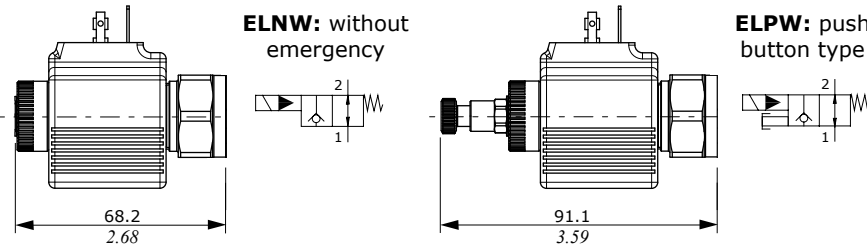
Wrenches and tightening torques

Z = wrench 27 - 42 Nm (31 lbft)
 W = 6.6 Nm (4.9 lbft)

Features

Nominal flow : 100 l/min (26.4 US gpm)
 Max. pressure. : 315 bar (4600 psi)
 Internal leakage. : 1 cm³/min @ 100 bar
 (0.061 in³/min @ 1450 psi)

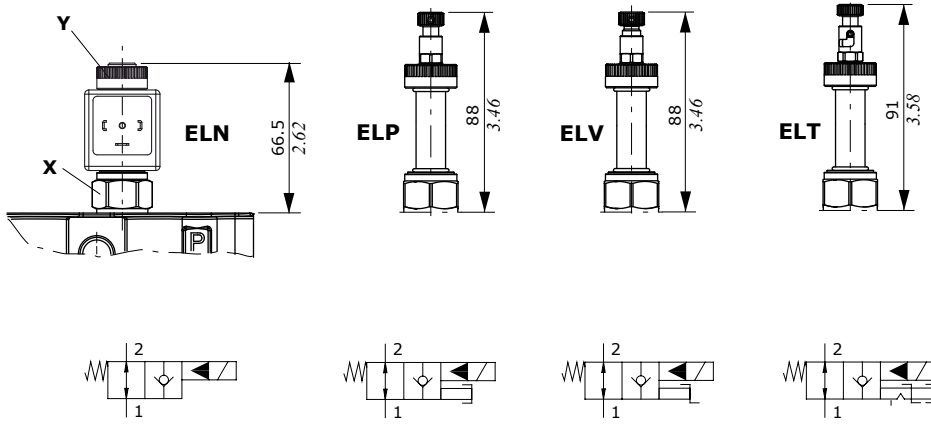
For **BER** type coil features and options please see page 61.



Inlet valve options

Unloader valve

For VP inlet section



Legenda

- ELN: without emergency
- ELP: push-button emergency
- ELV: screw emergency
- ELT: "push & twist" emergency

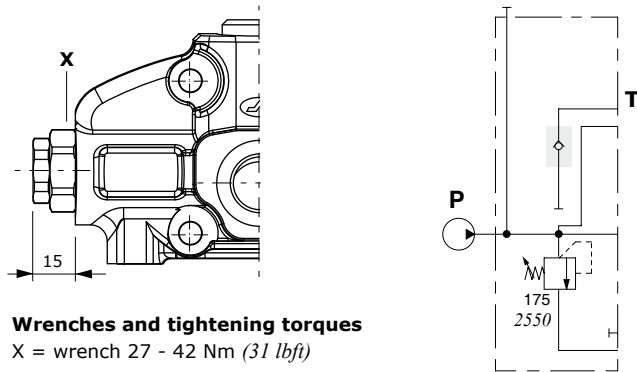
Wrenches and tightening torques

- X = wrench 24 - 30 Nm (22 lbf^t)
- Y = manual tightening

Features

- Nominal flow : 40 l/min (10.6 US gpm)
 - Max. pressure. . . . : 350 bar (5100 psi)
 - Internal leakage . . : 0.10 cm³/min @ 210 bar
(0.006 in³/min @ 1450 psi)
- For **BER** type coil please see page 61.

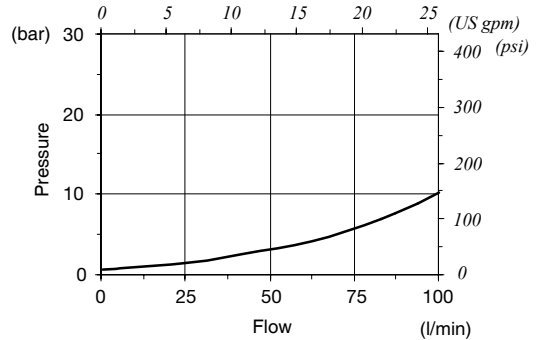
F anti-cavitation valve



Wrenches and tightening torques

- X = wrench 27 - 42 Nm (31 lbf^t)

Pressure drop from T to P



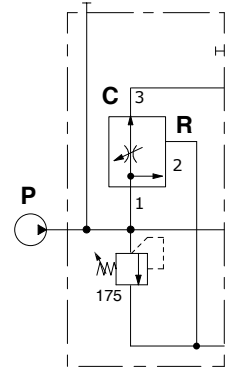
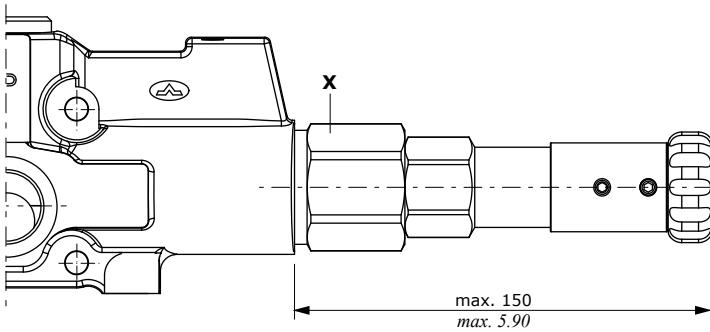
Features

- Nominal flow : 90 l/min (23.77 US gpm)
- Internal leakage : 2 cm³/min @ 100 bar
(0.122 in³/min @ 1450 psi)

Inlet valve options

Flow control valve

For S inlet section.



Wrenches and tightening torques

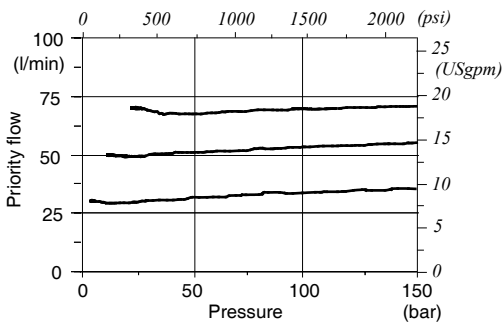
X = wrench 41 - 100 Nm (73.7 lbft)

Features

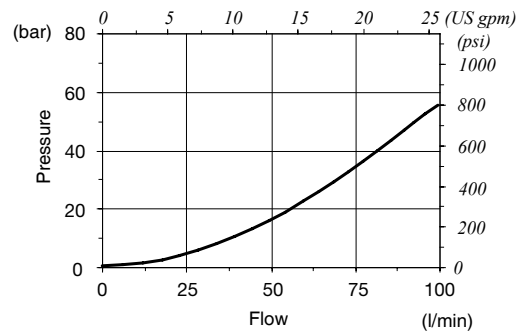
- Max. pressure : 350 bar (5100 psi)
- Nominal flow
- On port 1 : 110 l/min (29 US gpm)
- On port 3 : 150 l/min (39.6 US gpm)

Pressure-flow diagram

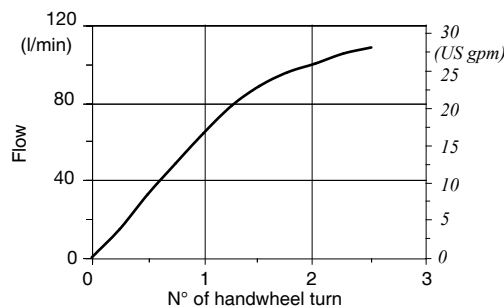
$Q_{in} = 110 \text{ l/min (29 US gpm)}$



Pressure drop



Flow regulation diagram



Part ordering codes

EL SD8 / (P) - 1 8 L . P3 (G3 - 100) -
 1 - on A port
 2 - on B port
 3 - on A and B ports

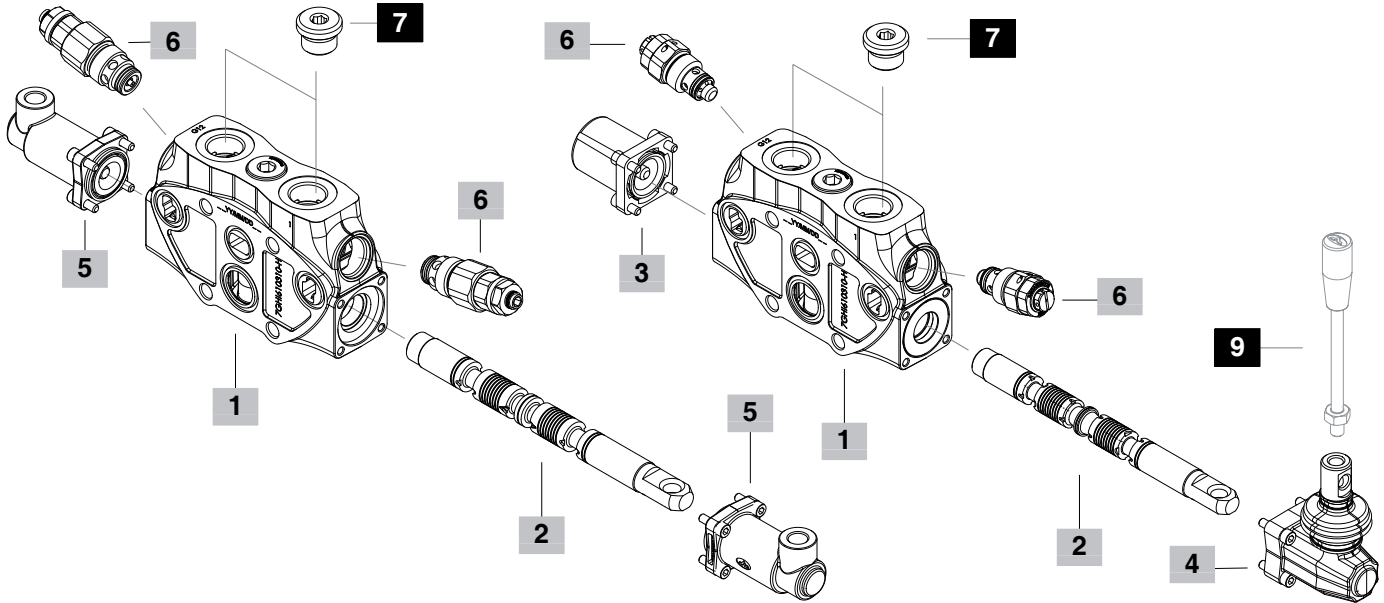
1 2 3 4 6 valve setting (bar) 8

P type omitted in description

EL SD8 / (P) - 1M 8IM . U1 (G3 - 100) -
 1 - on A port
 2 - on B port
 3 - on A and B ports

1 2 5 6 valve setting (bar) 8

P type omitted in description



1 Working section kit * page 24

TYPE	CODE	DESCRIPTION
For mechanical control		
P	5EL1083000	For parallel circuit (omitted in description)
SP	5EL3083010	For series-parallel (tandem) circuit
Q	5EL1083010	For parallel circuit without arrangement for port valves
SPQ	5EL3083020	For series-parallel (tandem) circuit without arrangement for port valves
P5	5EL108320A	As P type: for 5B spool with floating circuit (P omitted in description)
P5(14A)	5EL1083201	As P type: for 5(14A) spool with floating circuit (P omitted in description)
For proportional hydraulic circuit		
P/IM	5EL108300A	For parallel circuit (omitted in description)
SP/IM	5EL308300A	For series-parallel (tandem) circuit
Q/IM	5EL1083010A	For parallel circuit without arrangement for port valves

2 Spools page 25

TYPE	CODE	DESCRIPTION
1	3CU2310100	Double acting, 3 positions, with A and B closed in neutral position
1CEX	3CU2310230	As type 1, with fine metering
1CSG	3CU2310250	As type 1, with metering suggested for flow up to 70 l/min (18.5 US gpm)
1M	3CU2310130	As type 1 with metering suggested for flow rates above to 70 l/min (18.5 US gpm)
1S	3CU2311102	As type 1, for series circuit
1A	3CU2321100	Double acting, 3 positions, with A open to tank in neutral position

2 Spools (continue) page 25

TYPE	CODE	DESCRIPTION
1B	3CU2322100	Double acting, 3 positions, with B open to tank in neutral position
2	3CU2325100	Double acting, with A and B open to tank in neutral position
2CEX	3CU2325230	As type 2, with fine metering
2CSG	3CU2325255	As type 2, with metering suggested for flow up to 70 l/min (18.5 US gpm)
2H	3CU2325225	Double acting, with A and B partially open to tank in neutral position
2S	3CU2327100	As type 2, for series circuit
3	3CU2331110	Single acting on A, 3 positions, B plugged, G1/2 plug is required
4	3CU2335100	Single acting on B, 3 positions, A plugged, G1/2 plug is required
4M	3CU2335110	As type 4 with metering suggested for flow rates above to 70 l/min (18.5 US gpm), G1/2 plug is required

Spools for dedicated controls

5B	3CU2343100	Double acting, 4 positions, float in position 3 with spool out, 13C type positioner kit is required
5(14A)	3CU2345101	Double acting, 4 positions, float in position 3 with spool in, 14A type positioner kit is required
8F	3CU2361100	Double acting, 3 positions, regenerative in position 1, 8CR type positioner kit is required

NOTE (*) - Codes are referred to **BSP** thread.

Part ordering codes

3 "A" side spool positioners page 27

TYPE	CODE	DESCRIPTION
7FT	5V07208100	With friction and neutral position notch
8	5V08108010	With spring return in neutral position
8NA	5V08108001	As type 8, with steel cap
8WP	5V08108011	As type 8, with water proof type
8MA	5V08108240	As type 8, type A lighter spring
8MC	5V08208000	As type 8, type C heavier spring
8MD	5V08408000	As type 8, type D heavier spring
8D	5V08108202	As type 8, M8 female threaded pin extension for dual control
8D1	5V08108210	As type 8, pin with Ø 8 mm (0.31 in) radial hole
8D2	5V08108220	As type 8, M8 male threaded pin extension for dual control
8TL	5V08108310	As type 8 with pin control with flexible cable
8TLWP	5V08108320	As type 8, water proof type
8ED3	5V08108360	ON-OFF 12VDC electro-hydraulic kit
	5V08108361	ON-OFF 24VDC electro-hydraulic kit
8EPG3	5V08108737	ON-OFF 12VDC electro-pneumatic kit
	5V08108742	ON-OFF 24VDC electro-pneumatic kit
8IJ1	5V08108871(*)	With external hydraulic pilot to return from position 1 to neutral
8IJ2	5V08108861(*)	With external hydraulic pilot to return from position 2 to neutral
8IJ3	5V08108851(*)	With external hydraulic pilot to return from positions 1 and 2 to neutral
8IZ	5V08108800(*)	Proportional hydraulic control
8PG	5V08108708	ON-OFF pneumatic kit
8MG3	5V08108150	As type 8 with microswitch in position 1 and 2 (for other configuration please see page 29)
8MG39	5V08108101	As type 8 with double microswitch in position 1 and 2 (for other configuration please see page 30)
8SPSL-4.5(A)-0.5(B)	5V08108101	As type 8 with analog sensor for spool position
8SPSD	5V08108---	As type 8 with digital sensor for spool position
9B	5V09108040	With detent in position 1 and spring return in neutral position
9BWP	5V09108041	As 9B type, waterproof type
10B	5V10108040	With detent in position 2 and spring return in neutral position
11	5V11108000	With detent in position 1, neutral and 2
11B	5V11108040	With detent in position 1, 2 and spring return in neutral position
11WP	5V11108001	Waterproof type
15	5V15108000	2 positions, detent in pos. 1 and neutral
16	5V16108010	2 positions, detent in pos. 2 and neutral
19	5V19108000	2 positions, with spring return in neutral position from position 1
20	5V19108000	2 positions, with spring return in neutral position from position 2
Controls for dedicated spools		
8CR	5V08108022	3 positions with spring return in neutral and reduced spool stroke: for 8F spool
13C	5V13208020	4 positions with spring return in neutral position and detent in pos.3: for 5B spool
14A	5V14108000	Detent in positions 1, 2 and 3, kick-out in position 0: for 5(14A) spool

4 "B" side options page 38

TYPE	CODE	DESCRIPTION
L	5LEV108000	Standard lever box
LSG	5LEV108000S	Lever box, waterproof type
LF3	5LEV108710	Lever box with spool stroke limiter
LB	5LEV308000	Steel lever kit
SLP	5COP108000	Without lever box, with dust-proof plate
SLCY	5COP208060	Without lever box, with endcap
LCB	5CLO208000	Joystick lever for 2 section operation
LCE	5CLO208050	As previous one with bronze support
TQ	5TEL108110	Flexible cable connection

5 Complete controls * page 41

TYPE	CODE	DESCRIPTION
8IM	5IDR208300	Proportional hydraulic control
8IMF3	5IDR208220	Proportional hydraulic control with stroke limiter

6 Port valves page 42

Standard setting is referred to 10 l/min (2.6 US gpm)

TYPE	CODE	DESCRIPTION
-	3XTAP524290	Valve blanking plug (omitted in description)
C	XCAR408110	Anti-cavitation valve
DST	3XTAP624180	Valve blanking plug with connection to tank
Anti-shock valve		
P(G2)	3XCAR208112	Range 55-140 bar (790-2050 psi) standard setting 60 bar (870 psi)
P(G3)	3XCAR208113	Range 63-220 bar (900-3200 psi) standard setting 100 bar (1450 psi)
P(G4)	3XCAR208114	Range 180-350 bar (2600-5100 psi) standard setting 200 bar (2900 psi)
Anti-shock and anti-cavitation valve		
U(G2)	XCAR308112	Range 63-125 bar (900-1800 psi) standard setting 63 bar (900 psi)
U(G3)	XCAR308115	Range 100-250 bar (1450-3600 psi) standard setting 100 bar (1450 psi)
U(G4)	XCAR308114	Range 200-315 bar (2900-4600 psi) standard setting 200 bar (2900 psi)
Pilot operated anti-shock and anti-cavitation valve		
UXW(G-200)	X005421200	Range 30-435 bar (435-4600 psi) standard setting 200 bar (2900 psi)

7 Port plugs*

CODE	DESCRIPTION
3XTAP727180	G1/2 plug for single acting spool

8 Section threading

Specify only if it is different from BSP standard (see page 4)

9 Optional hand levers

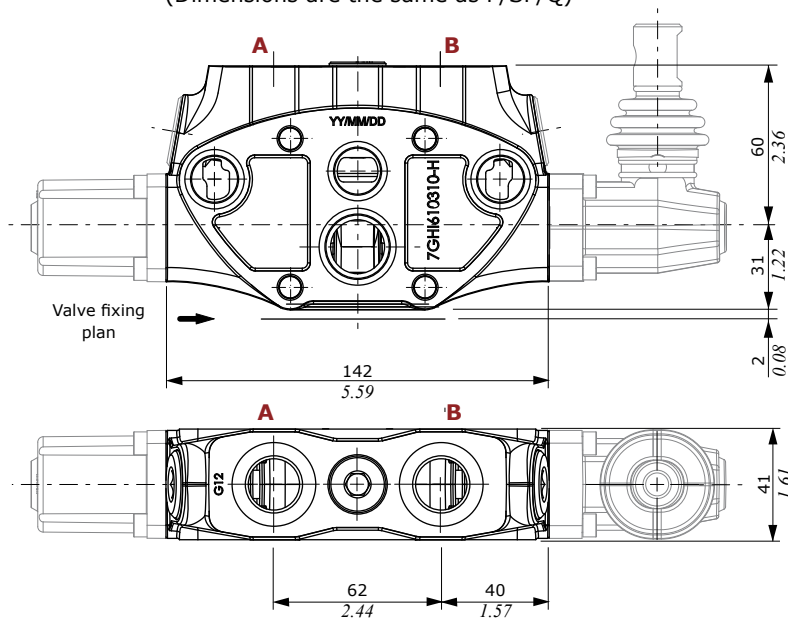
TYPE	CODE	DESCRIPTION
AL01/M10x200	170012020	For L, lever box, 200 mm (7.87 in)
AL08/M12x200	170013120	For LCB joystick, 200 mm (7.87 in)

For hand levers features please see dedicated catalogue cod. D1WWEH01E

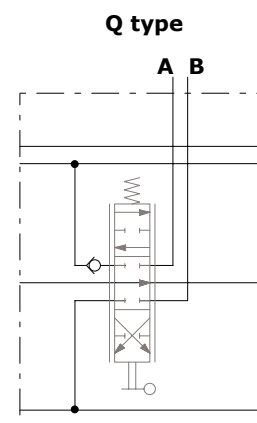
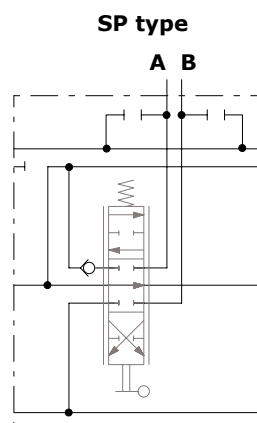
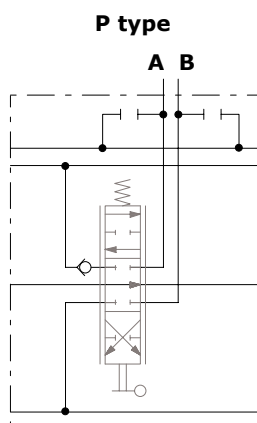
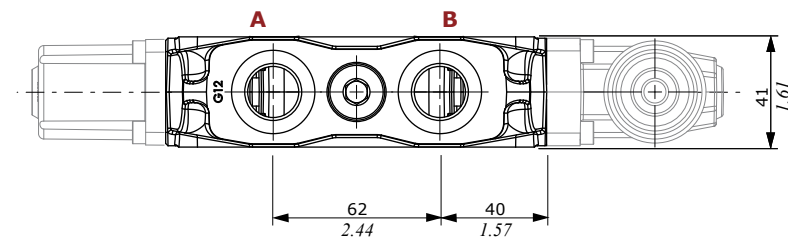
NOTE (*) – Codes are referred to **BSP** thread.

Dimensional data and hydraulic circuit

P type
With port valve arrangement
(Dimensions are the same as P/SP/Q)

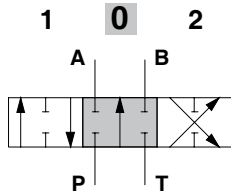


Q type
Without port valve arrangement



1 (1CEX/1CSG/1M) type spool

Double acting, 3 positions, with A and B closed in neutral position

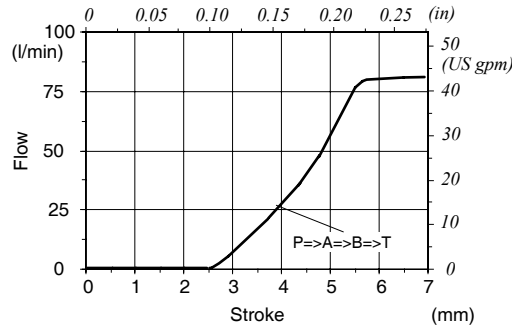


Spool stroke
position 1: + 7 mm (+ 0.28 in)
position 2: - 7 mm (- 0.28 in)

1 type spool metering

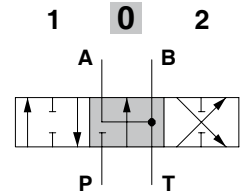
$Q_{in} = 80 \text{ l/min (42 US gpm)}$

$P_{(on\ ports)} = 100 \text{ bar (1450 psi)}$



2 (2CEX/2CSG) type spool

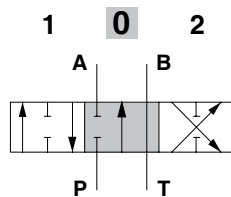
Double acting, 3 positions, with A and B open to tank in neutral position



Spool stroke
position 1: + 7 mm (+ 0.28 in)
position 2: - 7 mm (- 0.28 in)

1B type spool

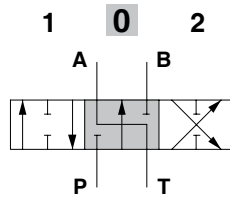
Double acting, 3 positions, with B open to tank in neutral position



Spool stroke
position 1: + 7 mm (+ 0.28 in)
position 2: - 7 mm (- 0.28 in)

1A type spool

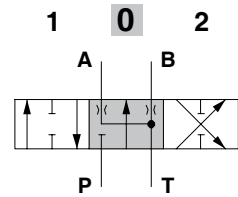
Double acting, 3 positions, with A open to tank in neutral position



Spool stroke
position 1: + 7 mm (+ 0.28 in)
position 2: - 7 mm (- 0.28 in)

2H type spool

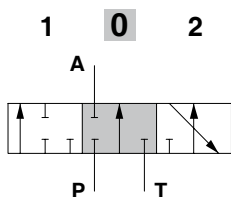
Double acting, 3 positions, with A and B partially open to tank in neutral position



Spool stroke
position 1: + 7 mm (+ 0.28 in)
position 2: - 7 mm (- 0.28 in)

3 type spool

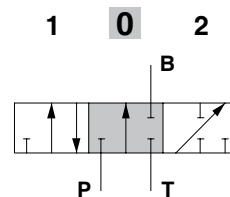
Single acting on A, 3 positions, B plugged, G1/2 plug is required



Spool stroke
position 1: + 7 mm (+ 0.28 in)
position 2: - 7 mm (- 0.28 in)

4 (4M) type spool

Single acting on B, 3 positions, A plugged, G1/2 plug is required

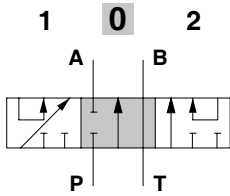


Spool stroke
position 1: + 7 mm (+ 0.28 in)
position 2: - 7 mm (- 0.28 in)

Spools

1S type spool

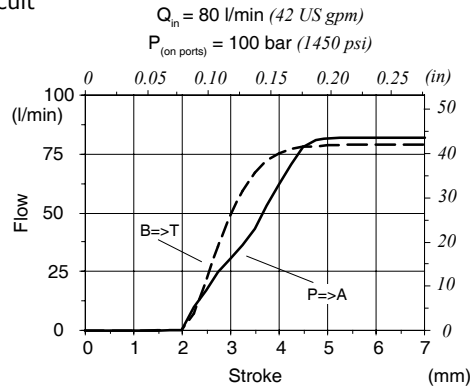
Double acting, 3 positions, with A and B closed in neutral position, for series circuit



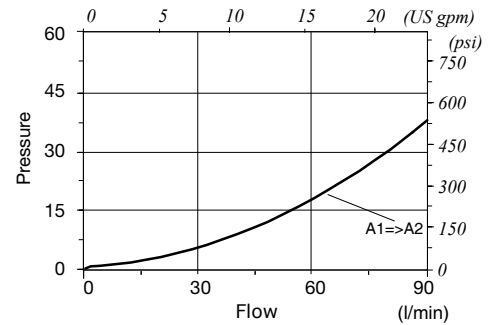
Spool stroke

position 1: + 7 mm (+ 0.28 in)
position 2: - 7 mm (- 0.28 in)

1S type spool metering

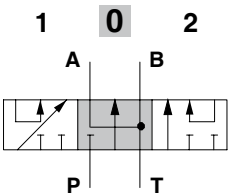


Pressure drop on series connection



2S type spool

Double acting, 3 positions, with A and B connected to tank in neutral position, for series circuit

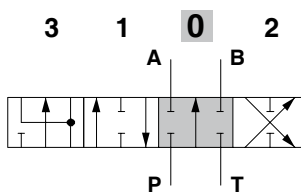


Spool stroke

position 1: + 7 mm (+ 0.28 in)
position 2: - 7 mm (- 0.28 in)

5B type spool

Double acting, with A and B closed in neutral position, 4 positions, floating in position 3, with spool out

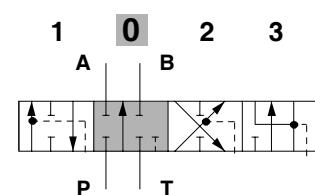


Spool stroke

position 1: + 5.5 mm (+ 0.22 in)
position 2: - 5.5 mm (- 0.22 in)
position 3: + 10.5 mm (+ 0.41 in)

5(14A) type spool

Double acting, with A and B closed in neutral position, 4 positions, floating in position 3, with spool in (lever pull with kick-out)

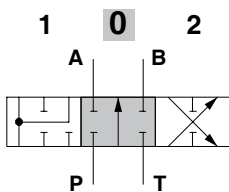


Spool stroke

position 1: + 5.5 mm (+ 0.22 in)
position 2: - 5.5 mm (- 0.22 in)
position 3: - 11 mm (+ 0.43 in)

8F type spool

Double acting, 3 positions, regenerative circuit in 2nd position (pos.1)



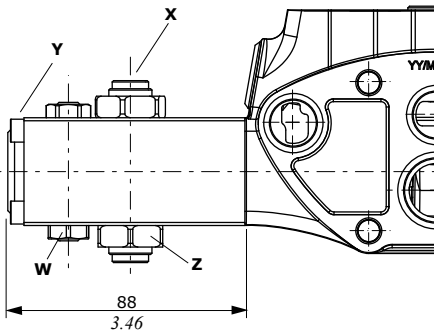
Spool stroke

position 1: + 5.7 mm (+ 0.23 in)
position 2: - 5.7 mm (- 0.23 in)

"A" side spool positioners

7FT type with friction

With neutral position notch.



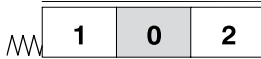
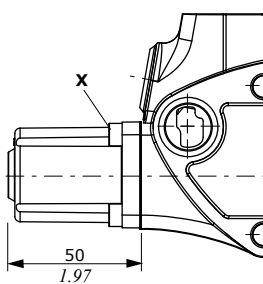
Wrenches and tightening torques

- X = allen wrench 4
- Y = allen wrench 4 - 6.6 Nm (4.9 lbft)
- W = wrench 15 - 9.8 Nm (7.2 lbft)
- Z = wrench 24 - Manual tightening

With spring return

8 - 8MA - 8MC - 8MD - 8WP type

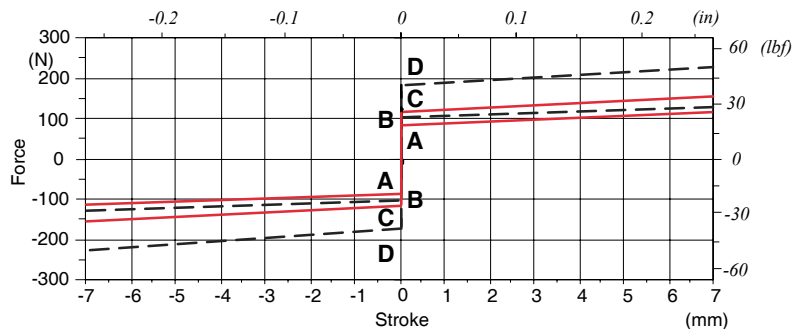
It is supplied with **B** type standard spring (see force-stroke diagram) and it is available with A type (**8MA**) lighter spring or with C-D type (**8MC-8MD**) heavier spring. **8WP** waterproof type is available.



Wrenches and tightening torques

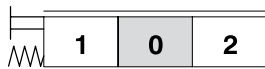
- X = allen wrench 4
- 6.6 Nm (4.9 lbft)

Force-stroke diagram



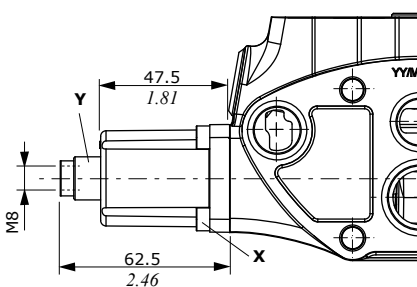
8D type

With M8 female threaded pin extension for dual control.



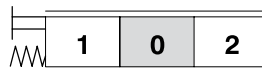
Wrenches and tightening torques

- X = allen wrench 4 - 6.6 Nm (4.9 lbft)
- Y = wrench 13 - 24 Nm (17.7 lbft)



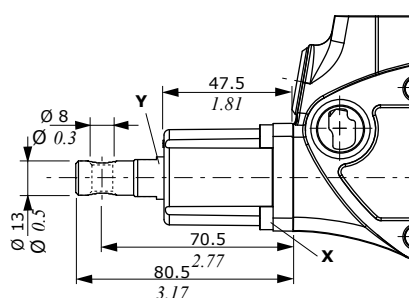
8D1 type

With Ø 8 hollow pin extension.



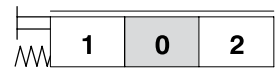
Wrenches and tightening torques

- X = allen wrench 4 - 6.6 Nm (4.9 lbft)
- Y = wrench 14 - 24 Nm (17.7 lbft)



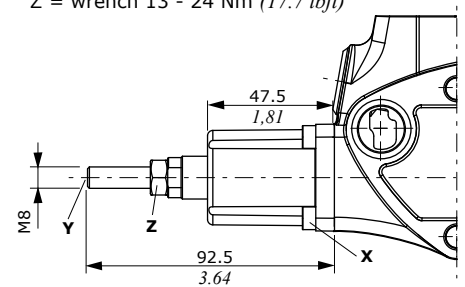
8D2 type

With M8 male threaded pin extension for dual control.



Wrenches and tightening torques

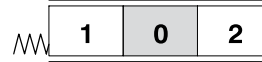
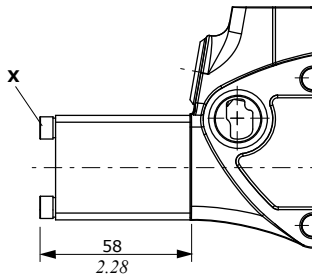
- X = allen wrench 4 - 6.6 Nm (4.9 lbft)
- Y = allen wrench 4 - 24 Nm (17.7 lbft)
- Z = wrench 13 - 24 Nm (17.7 lbft)



"A" side spool positioners

8NA type with spring return

With steel cap, B type standard spring (see force-stroke diagram on page 27)

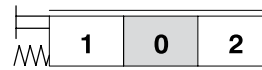
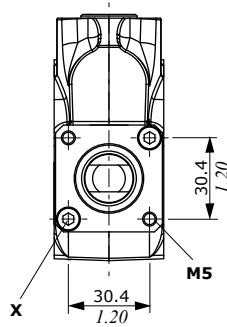
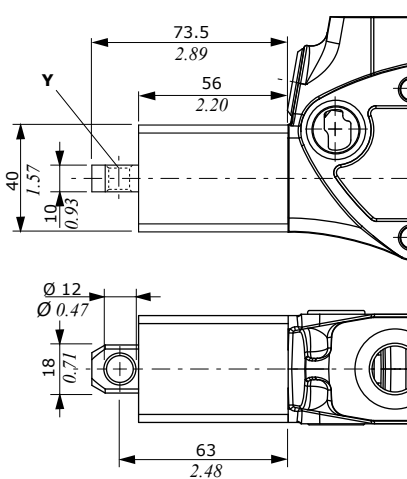


Wrenches and tightening torques

X = allen wrench 4 - 6.6 Nm (4.9 lbft)

8TL - 8TLWP type with spring return

As 8 type with pin control with flexible cable. 8TLWP waterproof type is available.



Wrenches and tightening torques

X = allen wrench 4 - 6.6 Nm (4.9 lbft)

Y = wrench 10 - 24 Nm (17.7 lbft)

With detent and spring return to neutral position from either directions

9BWP waterproof type is available.

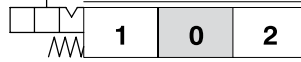
9B - 9BWP type

detent in position 1 (A curve)



10B type

detent in position 2 (B curve)

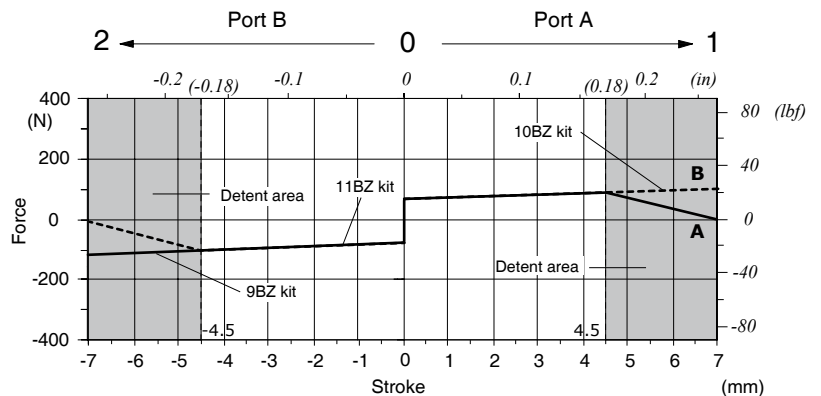


11B type

detent in position 1 and 2 (A and B curves)

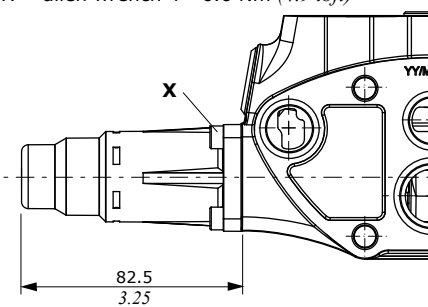


Force-stroke diagram (for the controls shown)



Wrenches and tightening torques

X = allen wrench 4 - 6.6 Nm (4.9 lbft)



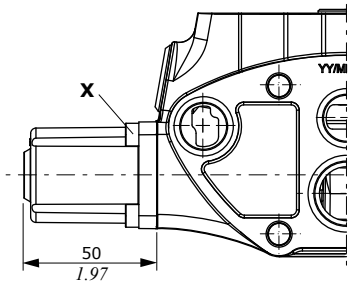
Position 1 - Detent force: 130 N ± 10% (29.2 lbf) / Release force: 215 N (48.3 lbf) ± 10%

Position 2 - Detent force: 145 N (32.6 lbf) ± 10% / Release force: 300 N (67.4 lbf) ± 10%

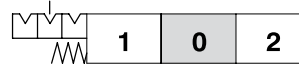
“A” side spool positioners

3 positions with detent 11 type

11WP waterproof type is available.

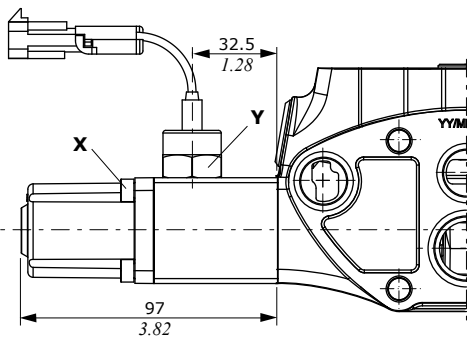


Wrenches and tightening torques
 X = allen wrench 4 - 6.6 Nm (4.9 lbf)



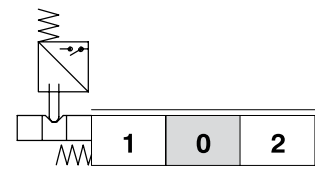
With microswitch for spool check position

With spring return in neutral position and microswitch operated in both directions.
 Also **8MG1(NO)** configuration (microswitch operated in pos. 1) and **8MG2(NO)** configuration (microswitch operated in pos. 2) are also available; dimensions are the same as **8MG3. (NC)** configurations are available.

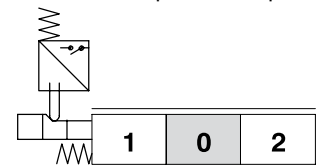


Wrenches and tightening torques
 X = allen wrench 4 - 6.6 Nm (4.9 lbf)
 Y = wrench 22 - 24 Nm (17.7 lbf)

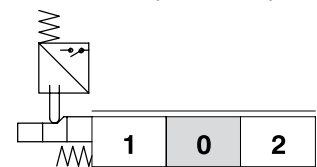
8MG3(NO) type
 microswitch operated in pos. 1 and 2



8MG1(NO) type
 microswitch operated in pos. 1



8MG2(NO) type
 microswitch operated in pos. 2



Control codes

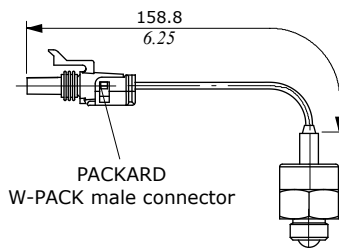
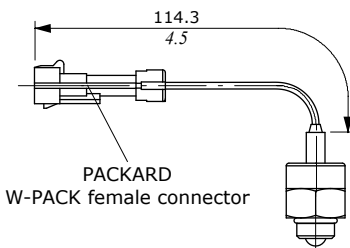
Microswitch operations

Circuit	position 1	position 2	position 1-2	Connector
	8MG1	8MG2	8MG3	
(NO)	5V08108160	5V08108170	5V08108150	5CON001
(NC)	5V08108162	5V08108172	5V08108152	5CON005

Microswitch ordering codes

NO microswitch kit
 code: **4MIC734**

NC microswitch kit
 code: **4MIC744**



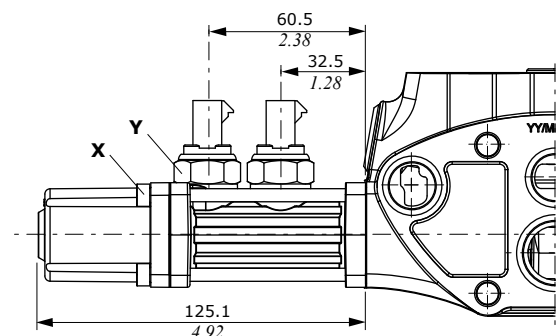
Microswitch features

Mechanical life : 10⁶ operations
 Electrical life (resistive load) ... : 10⁵ operations - 7A / 13.5 VDC
 : 5x10⁴ operations - 10A / 12 VDC
 : 5x10⁴ operations - 3A / 28 VDC
 Connector : Packard Weather-pack
 mating connector not included

"A" side spool positioners

With double microswitch for spool check position

Execution with normally opened microswitch and normally closed microswitch **8MG39(NC/NO)** operated in pos. 1, 2 and spring return in neutral position. Available: **8MG29(NC/NC)** configuration with double normally closed microswitch operated in pos. 2; **8MG19(NC/NC)** configuration with double normally closed microswitch operated in pos. 1 and **8MG19/MG29(NC/NC)** with normally closed microswitch operated in pos. 1 and normally opened microswitch operated in in pos.2. Both executions have the same dimensions.



Wrenches and tightening torques

X = allen wrench 4 - 6.6 Nm (4.9 lbf·ft)
Y = wrench 22 - 24 Nm (17.7 lbf·ft)

Control codes

Microswitch operations

Circuit	position 1	position 2	position 1-2	position 1-2
	8MG19	8MG29	8MG39	8MG19/8MG29
(NC/NO)	-	-	5V08108101	-
(NC/NC)	5V08108108	5V08108104	-	5V08108112

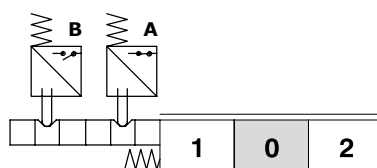
Microswitch features

Mechanical life : 10⁶ operations
Electrical life (resistive load) .. : 10⁵ operations - 7A / 13.5 VDC
 : 5x10⁴ operations - 10A / 12 VDC
 : 5x10⁴ operations - 3A / 28 VDC
Connector : Packard Weather-pack
mating connector cod. 5CON140047 not included

	Positions	A	B
8MG39 (NC/NO)	1	•/•	•/•
	0	•/•	•/•
	2	•/•	•/•
8MG29 (NC/NC)	1	•/•	•/•
	0	•/•	•/•
	2	•/•	•/•
8MG19 (NC/NC)	1	•/•	•/•
	0	•/•	•/•
	2	•/•	•/•
8MG19/MG29 (NC/NC)	1	•/•	•/•
	0	•/•	•/•
	2	•/•	•/•

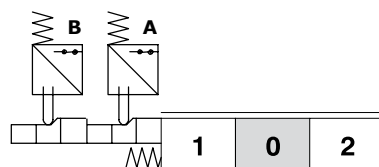
8MG39(NC/NO) type

double microswitch operated in pos. 1 and 2



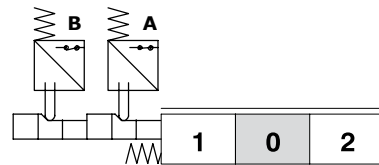
8MG29(NC/NC) type

double microswitch operated in pos. 2



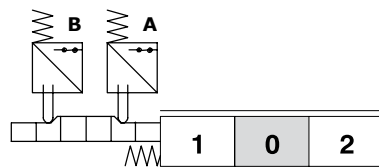
8MG19(NC/NC) type

double microswitch operated in pos. 1



8MG19/MG29(NC/NC) type

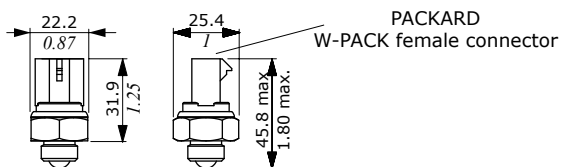
double microswitch operated in pos. 1 and 2



Microswitch ordering codes

NO microswitch kit code: 4MIC733

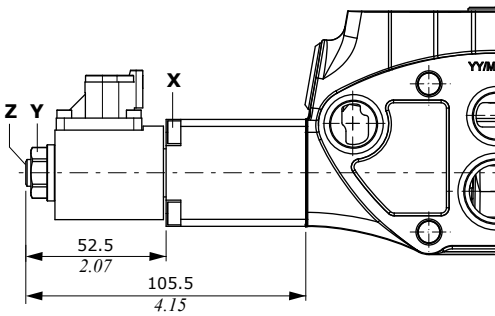
NC microswitch kit code: 4MIC743



NOTE - NO and NC microswitches have the same dimensions

"A" side spool positioner

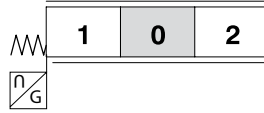
With spool position sensor



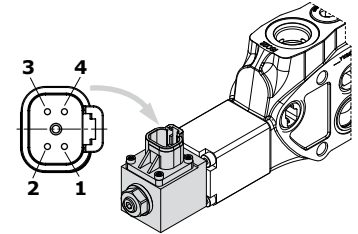
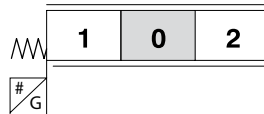
Wrenches and tightening torques

- X = allen wrench 4 - 6.6 Nm (4.9 lbf^t)
- Y = wrench 17 - 9.8 Nm (7.2 lbf^t)
- Z = allen wrench 4 - 9.8 Nm (7.2 lbf^t)

8SPSL type
with analog spool position sensor



8SPSD type
with digital spool position sensor



Deutsch DT04-4P connector		
Pin	Funzione SPSL	Funzione SPSD
1	+ 5V	Out A
2	not connected	GND
3	GND	VB +
4	signal OUT	Out B

Deutsch DT06-4S mating connector, code 5CON140072

SPSL sensor

The SPSL position sensor converts the spool movements into a voltage linear signal.

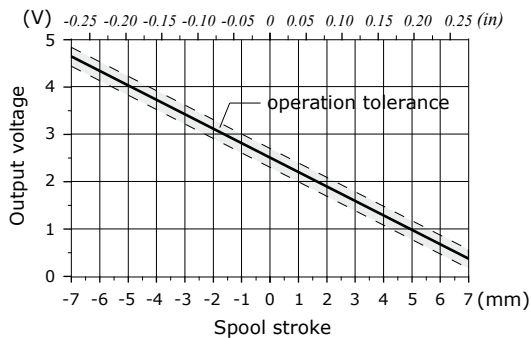
Working conditions		
Voltage supply		5 VDC
Current absorption		< 10 mA (no load)
Mechanical life		3x10 ⁶
Connector type		DT04-4P Deutsch
Weather protection		IP67 / IP69K
Working temperature		from -40°C to 105°C (from -40°F to 221°F)
Working pressure		350 bar (5100 psi)
Max. electrical stroke		±10 mm (±0.39 in)
Max. mechanical stroke		±10 mm (±0.39 in)
Output signal	range	from 0.5 to 4.5 V
	linearity	± 5%
	spool in neutral	2.5 ± 0.2 V
	max. current	1 mA
EMC compatibility		ISO 13766 / ISO 14982
Mechanical vibrations, shock, bumps		IEC 68-2-6,-27,-29

SPSD sensor

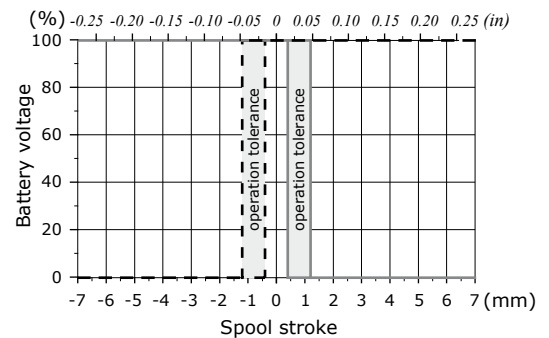
The SPSSD position sensor converts the spool movements into an electric digital signal.

Working conditions		
Voltage supply		from 9 to 32 VDC
Current absorption		< 10 mA (no load)
Mechanical life		3x10 ⁶
Connector type		DT04-4P Deutsch
Weather protection		IP67 / IP69K
Working temperature		from -40°C to 105°C (from -40°F to 221°F)
Working pressure		350 bar (5100 psi)
Max. electrical stroke		±10 mm (±0.39 in)
Max. mechanical stroke		±10 mm (±0.39 in)
Output signal	type	PNP
	max. current	6 mA
EMC compatibility		ISO 13766 / ISO 14982
Mechanical vibrations, shock, bumps		IEC 68-2-6,-27,-29

SPSL sensor output signal

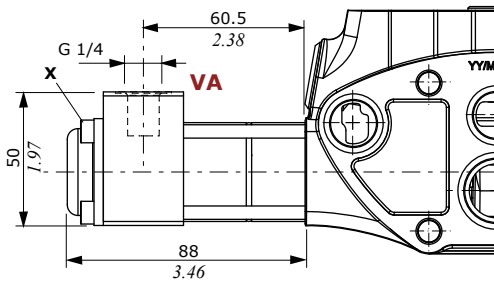


SPSD sensor output signal

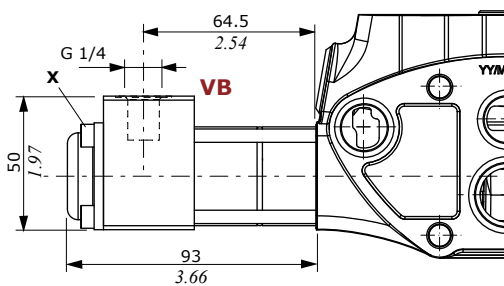


"A" side spool positioners

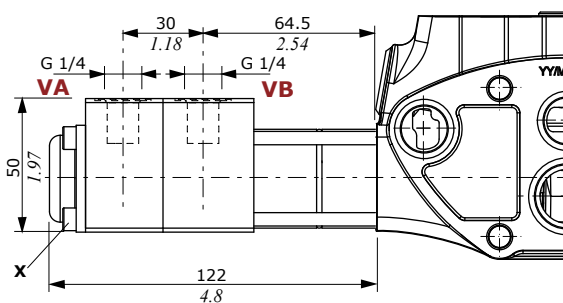
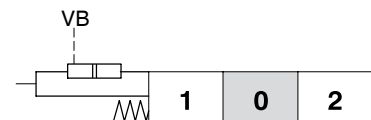
3 positions with external hydraulic pilot



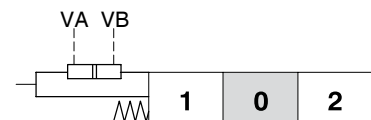
8I11 type
With external hydraulic pilot to return from position 1 to neutral



8I12 type
With external hydraulic pilot to return from position 2 to neutral.



8I13 type
With external hydraulic pilot to return from positions 1 and 2 to neutral



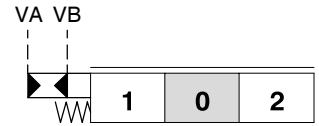
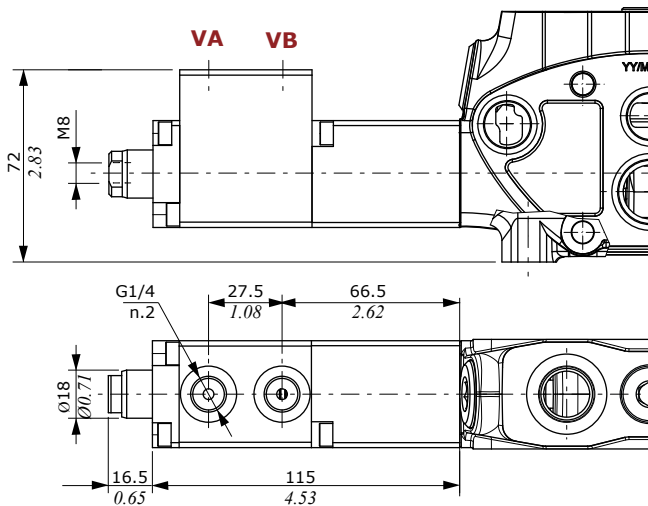
Wrenches and tightening torques
X = allen wrench 4 - 6.6 Nm (4.9 lbft)

Features

Pilot pressure..... : min. 50 bar (725 psi)
: max. 315 bar (4600 psi)

"A" side spool positioner

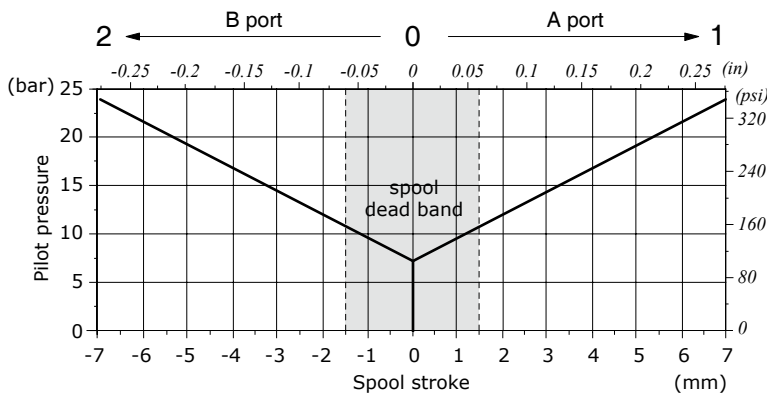
3 positions proportiona hydraulic control type 8IZ



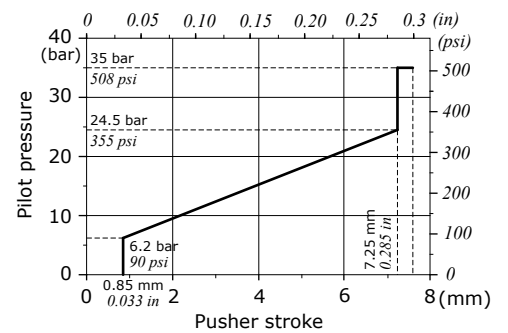
Features

Pilot pressure : max. 100 bar (1450 psi)

Pressure - stroke diagram



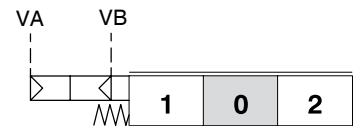
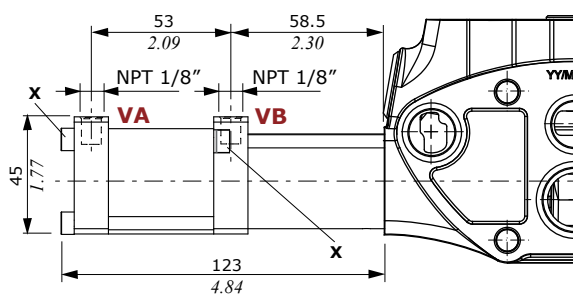
Control curve with step on VA and VB port: type 054



8PG type ON/OFF pneumatic kit

Wrenches and tightening torques

X = allen wrench 4 - 6.6 Nm (4.9 lbft)

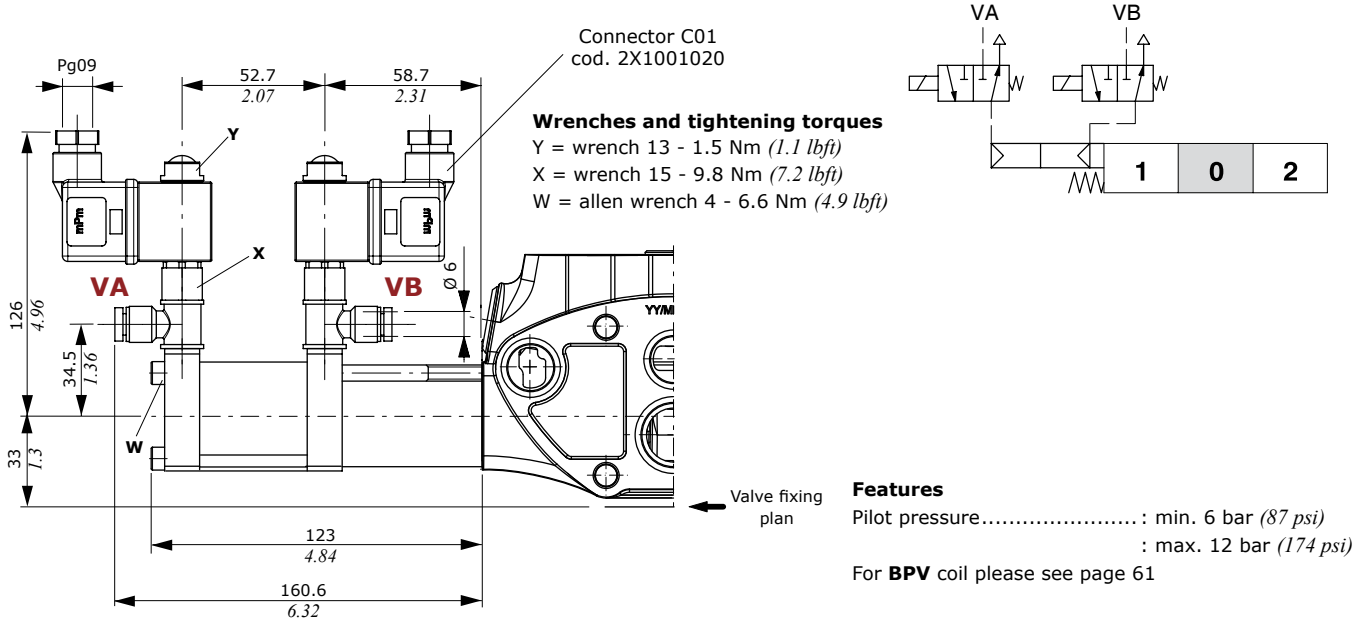


Features

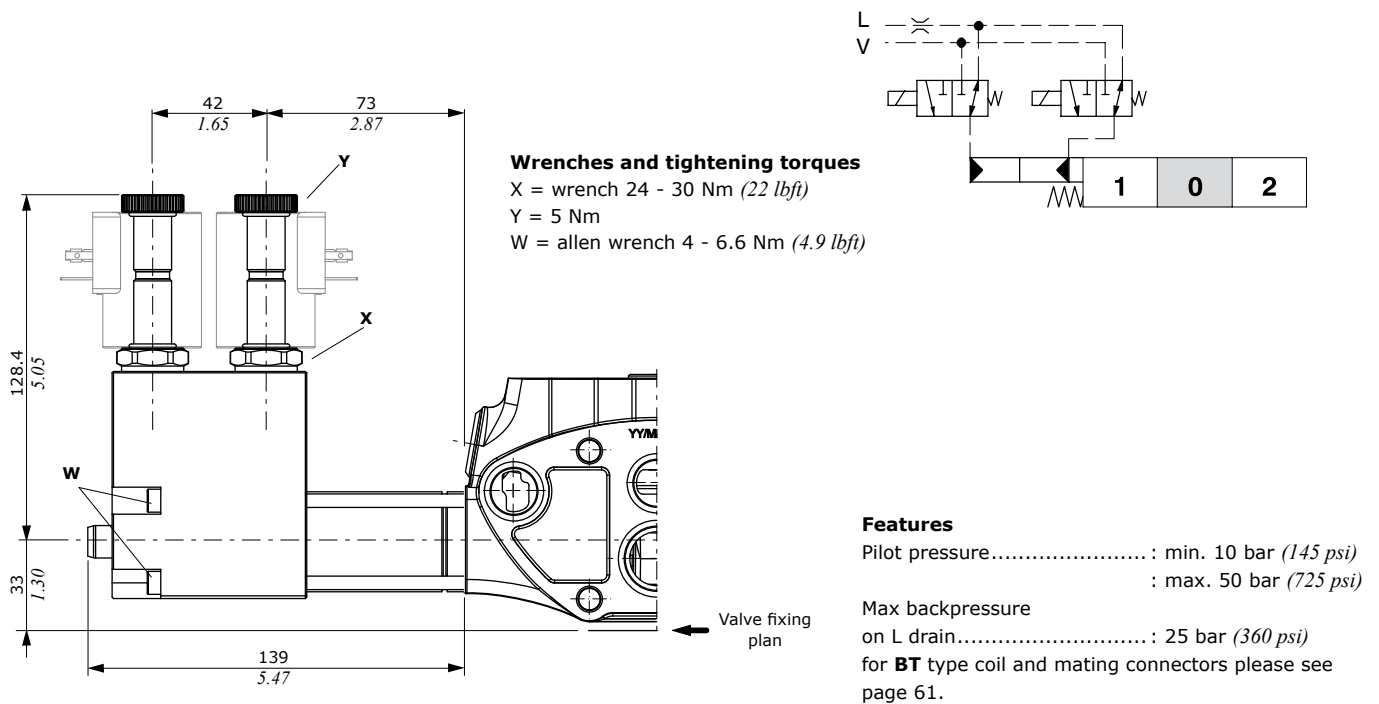
Pilot pressure..... : min. 6 bar (87 psi)
: max. 12 bar (174 psi)

"A" side spool positioners

8EPG3 type ON/OFF electro-pneumatic kit



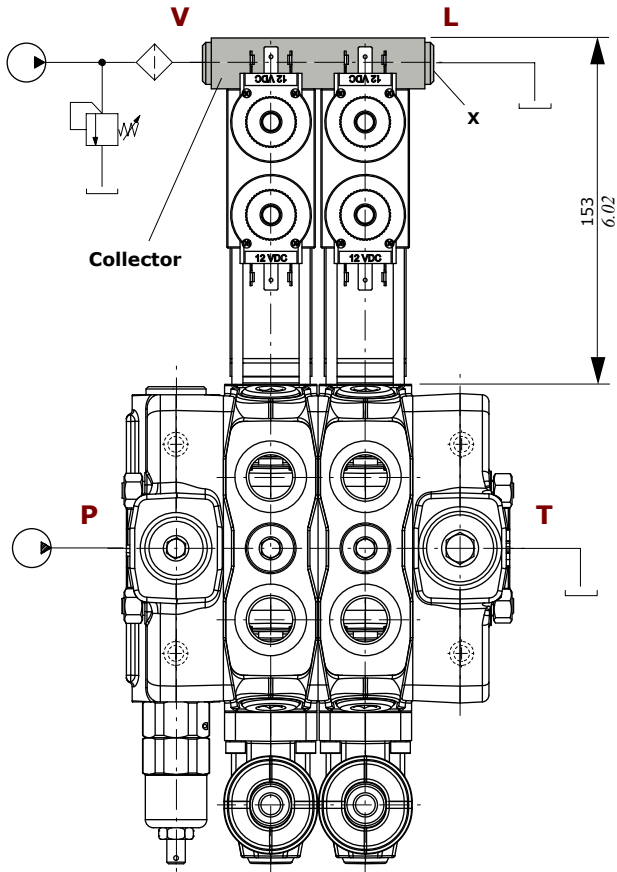
8ED3 type ON/OFF electro-hydraulic control



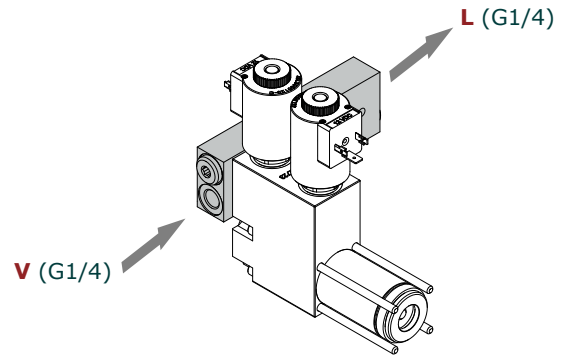
"A" side spool positioners

8ED3 type ON/OFF electro-hydraulic control

Collector kit for external pilot and drain

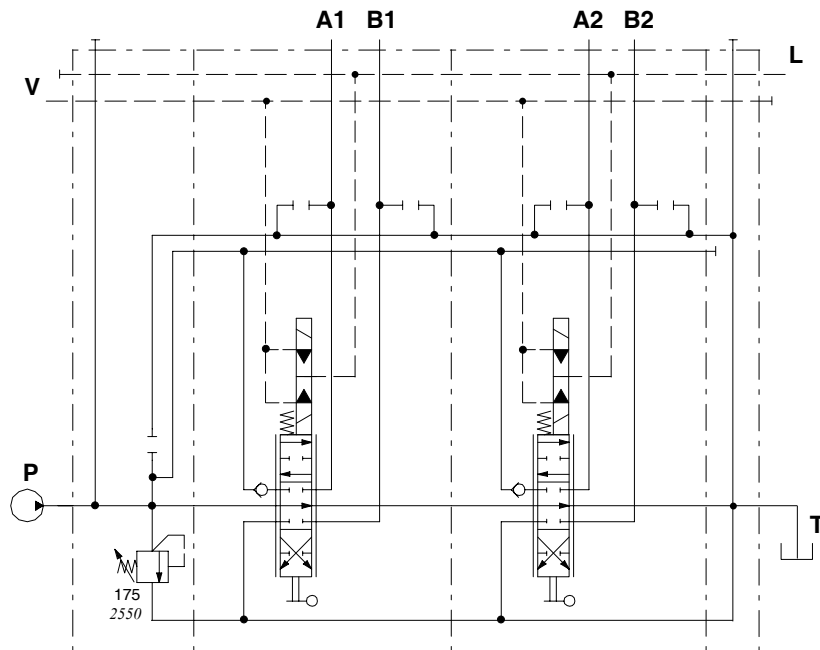


Wrenches and tightening torques
 X = allen wrench 6 - 24 Nm (17.7 lbf)



COLLECTOR KIT CODE		
Type	Code *	Description
KE1S0	5KE1S00030	Kit for 1 sections
KE2S0	5KE2S01330	Kit for 2 sections
KE3S0	5KE3S01330	Kit for 3 sections
KE4S0	5KE4S01330	Kit for 4 sections
KE5S0	5KE5S01330	Kit for 5 sections
KE6S0	5KE6S01330	Kit for 6 sections
KE7S0	5KE7S01330	Kit for 7 sections

NOTE (*) - Codes are referred to **BSP** thread



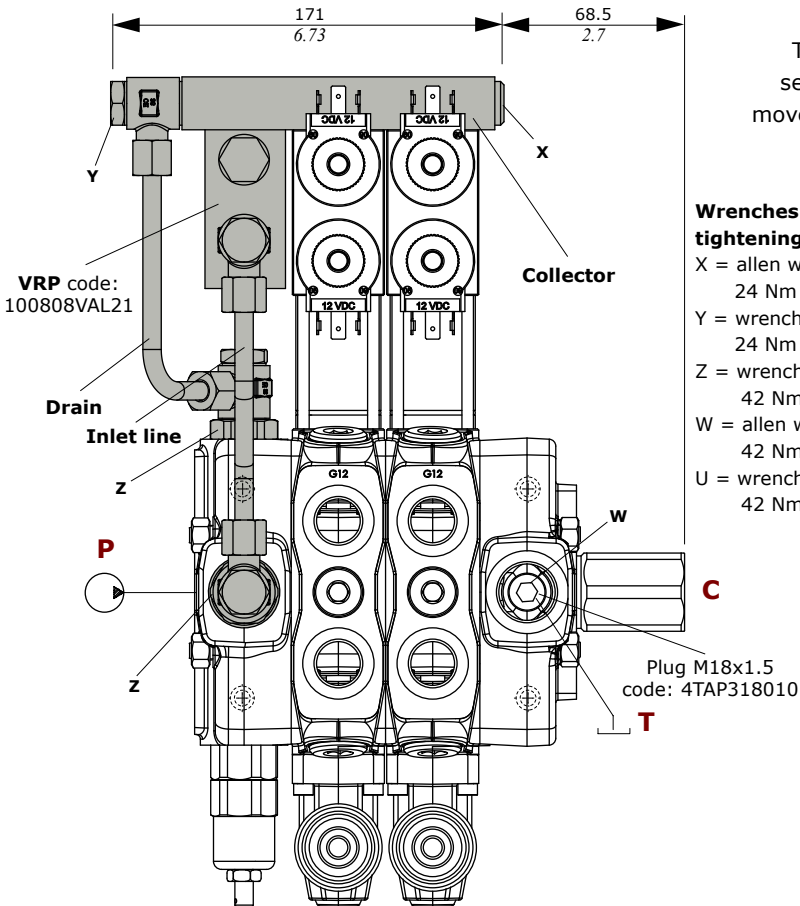
Description example:
 SD8/2/AC(YG3-175)/18ED3L/18ED3L/RC-KE2S0-24VDC

"A" side spool positioners

8ED3 type ON/OFF electro-hydraulic control

Collector kit with internal pilot and drain lines

The kit consist of a collector with VRP pressure reducing valve and relative pipes.



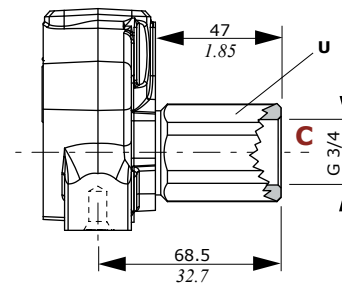
VRE backpressure valve

The valve is assembled on the free flow of the outlet section in order to create the backpressure required to move the 8ED3 piston control. RV outlet section complete with valve and tapered plug, (code X047710010).

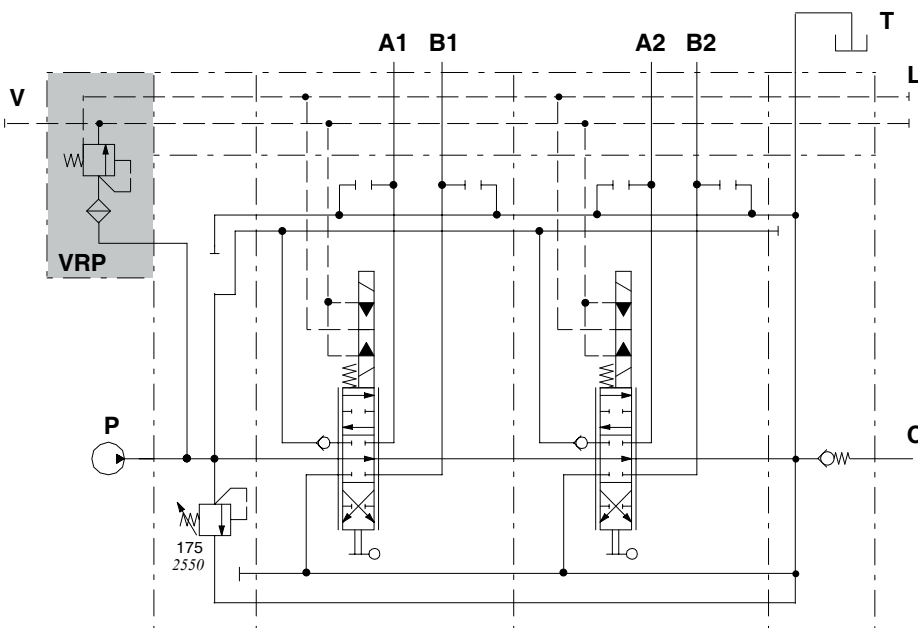
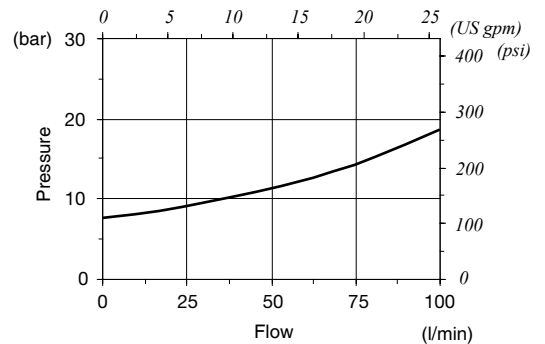
For RV complete outlet cover see page 47.

Wrenches and tightening torques

- X = allen wrench 6
24 Nm (17.7 lbf_t)
- Y = wrench 19
24 Nm (17.7 lbf_t)
- Z = wrench 27
42 Nm (31 lbf_t)
- W = allen wrench 8
42 Nm (31 lbf_t)
- U = wrench 34
42 Nm (31 lbf_t)



VRE valve - pressure drop from P to C



VRP valve operating features

- Outlet pressure : 25 bar (360 psi)
- Max. flow : 8 l/min (2.1 US gpm)

COLLECTOR KIT CODE

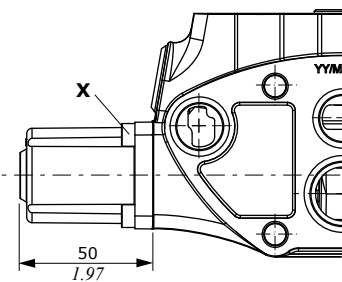
Type	Code *	Description
KE1RE	5KE1R31330	Kit for 1 sections
KE2RE	5KE2R31330	Kit for 2 sections
KE3RE	5KE3R31330	Kit for 3 sections
KE4RE	5KE4R31330	Kit for 4 sections
KE5RE	5KE5R31330	Kit for 5 sections
KE6RE	5KE6R31330	Kit for 6 sections
KE7RE	5KE7R31330	Kit for 7 sections
KE8RE	5KE8R31330	Kit for 8 sections
KE9RE	5KE9R31330	Kit for 9 sections

NOTE (*) - Codes are referred to BSP thread

Description example:
SD8/2/AC(YG3-175)/18ED3L/18ED3L/RV-KE2R3-12VDC

"A" side spool positioners

2 positions, with spring return 19 and 20 type



19 type
with spring return in neutral position from position 1

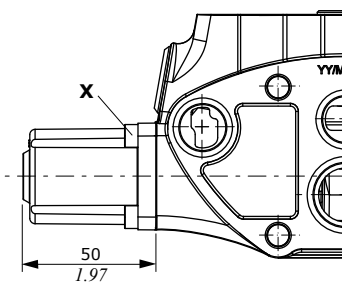


20 type
with spring return in neutral position from position 2

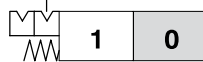


Wrenches and tightening torques
X = allen wrench 4 - 6.6 Nm (4.9 lbf)

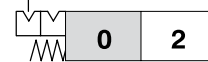
2 positions, with detent 15 and 16 type



15 type
detent in pos. 1 and neutral



16 type
detent in pos. 2 and neutral



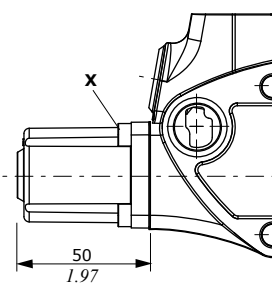
Wrenches and tightening torques
X = allen wrench 4 - 6.6 Nm (4.9 lbf)

Features
Locking-unlocking force..... : 300 N (67.44 lbf)

Particular positioner kits for special spools

8CR type

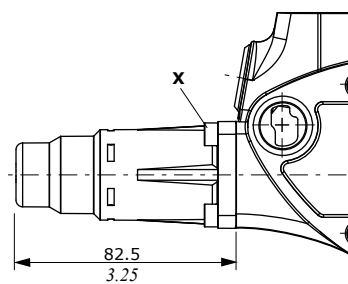
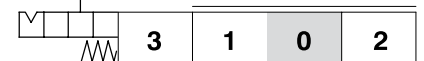
3 positions with spring return in neutral and reduced spool stroke: **for 8F spool.**



Wrenches and tightening torques
X = allen wrench 4 - 6.6 Nm (4.9 lbf)

13C type

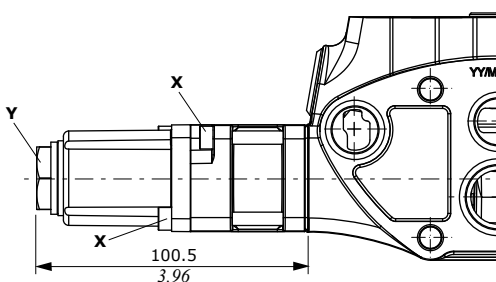
4 positions with spring return in neutral and detent in position 3: **for 5B spool.**



Wrenches and tightening torques
X = allen wrench 4 - 6.6 Nm (4.4 lbf)

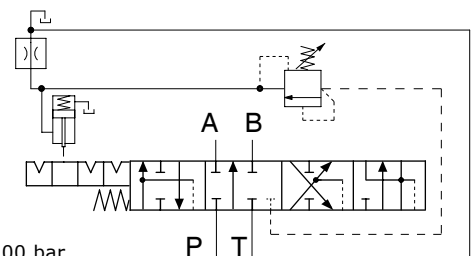
14A type

Control kit with detent in position 1, 2 and 3, kick-out in position 0: **for 5(14A) spool.**



Wrenches and tightening torques
X = allen wrench 4 - 6.6 Nm (4.9 lbf)
Y = wrench 24 - 9.8 Nm (7.2 lbf)

Features
Release pressure : from 20 to 200 bar
(from 290 to 2900 psi)



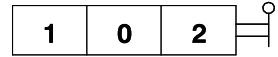
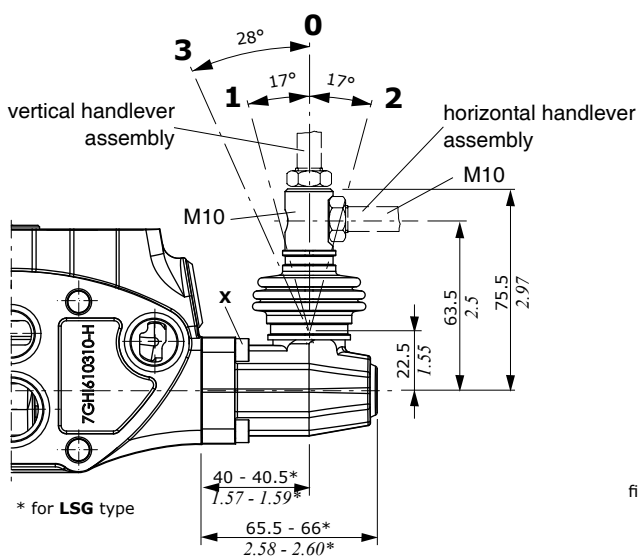
"B" side option

Lever control

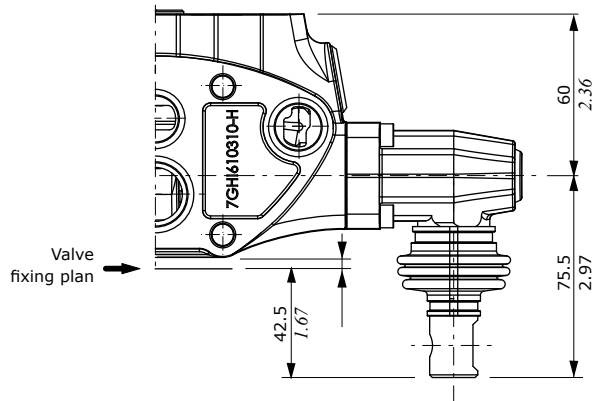
L - LSG types

Aluminium lever pivot box with protective rubber bellow; it can be rotated 180° (configuration **L180**).

LSG type is a waterproof configuration.



L180 - LSG180 configurations

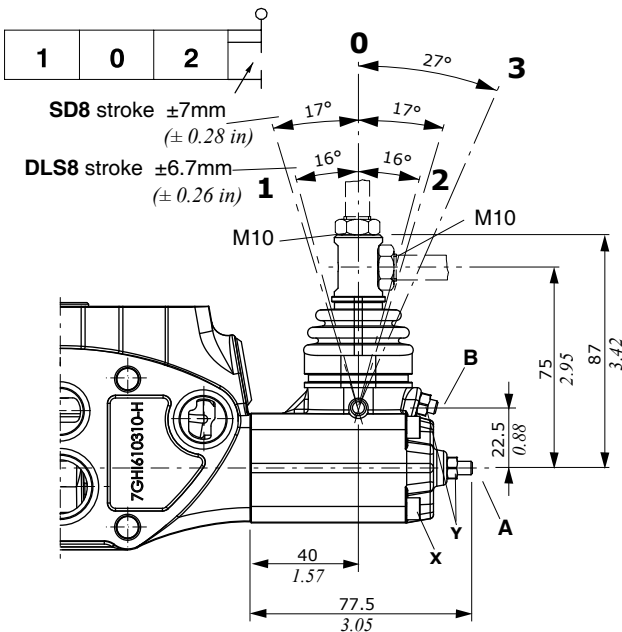


Wrenches and tightening torques

X = allen wrench 4 - 6.6 Nm (4.9 lbft)

LF3 type

Zama lever pivot box with protective rubber bellow; it is equipped with two screws for spool stroke adjusting. It can be rotated 180° (**LF3180** configuration).



Wrenches and tightening torques

X = allen wrench 4 - 6.6 Nm (4.9 lbft)

Y = allen wrench 8 - 6.6 Nm (4.9 lbft)

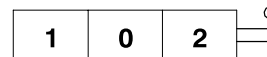
A - Screw for stroke limiter on position 1: wrench 2.5

B - Screw for stroke limiter on position 2: wrench 2.5

LB type

Steel and cast iron construction.

The drawing represents **LB4** configuration with pivot placed above on the right.

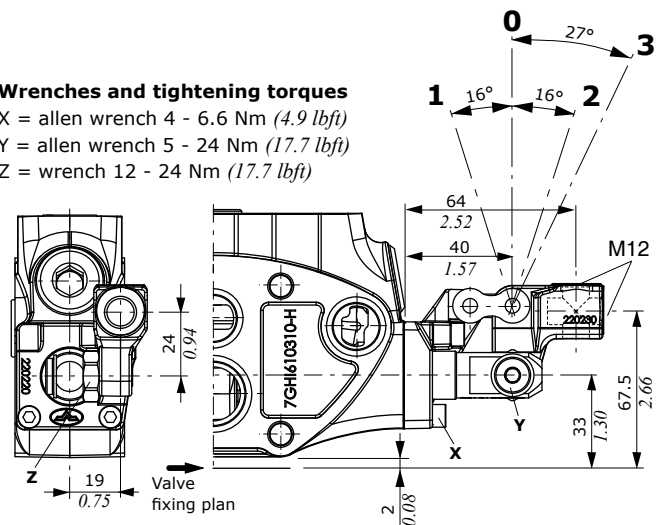


Wrenches and tightening torques

X = allen wrench 4 - 6.6 Nm (4.9 lbft)

Y = allen wrench 5 - 24 Nm (17.7 lbft)

Z = wrench 12 - 24 Nm (17.7 lbft)



NOTES - The pivot can be assembled placed down on the left (**LB1** execution), or it can be rotated 90°; in this case, the interference with other lever controls has to be checked. For further information please contact our Sales Dpt.

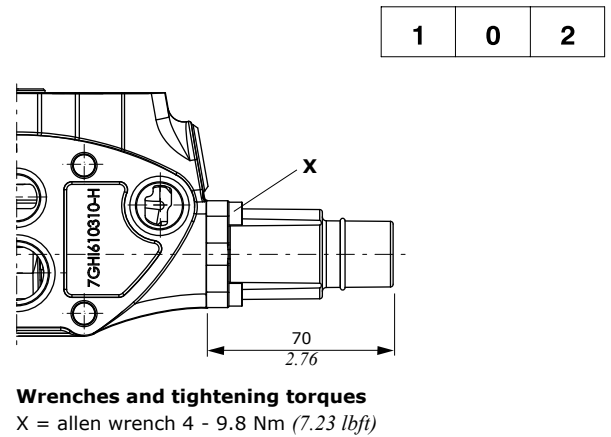
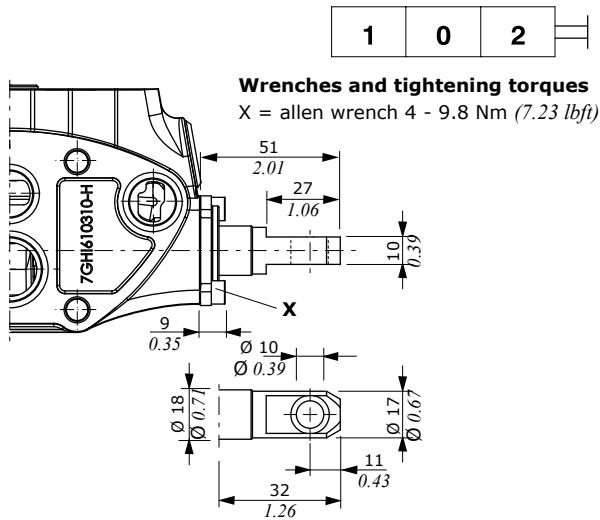
Control prearrangement

SLP type

Mechanical control with dust-proof plate kit.

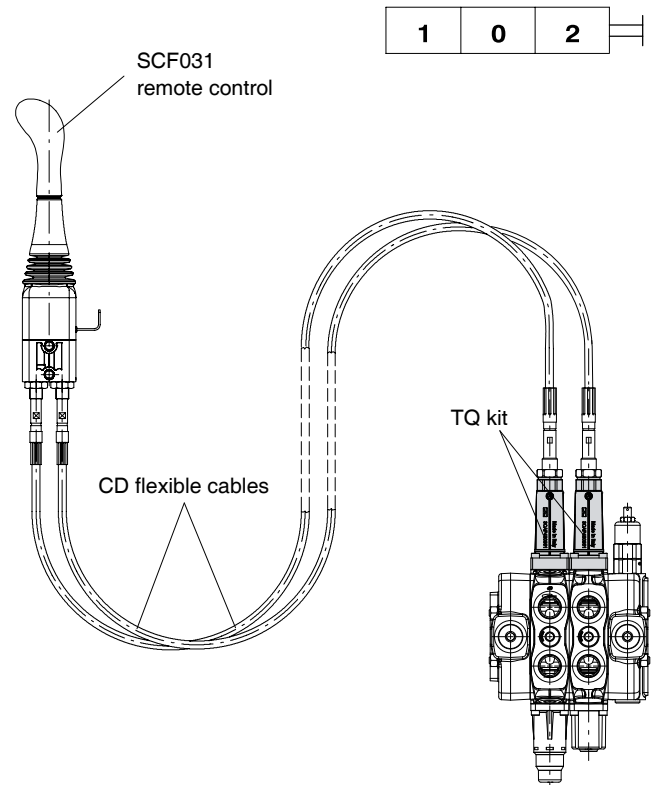
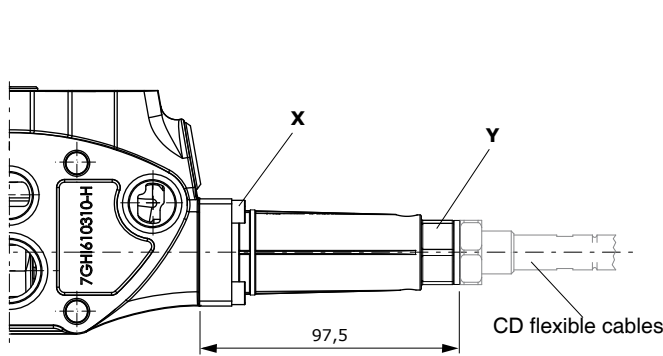
SLCY type

Protection cap.



TQ cable remote control

Waterproof cap prearranged for remote control with flexible cable.



Wrenches and tightening torques

X = allen wrench 4 - 7.5 Nm (5.53 lbf ft)

Y = wrench 24

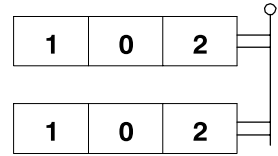
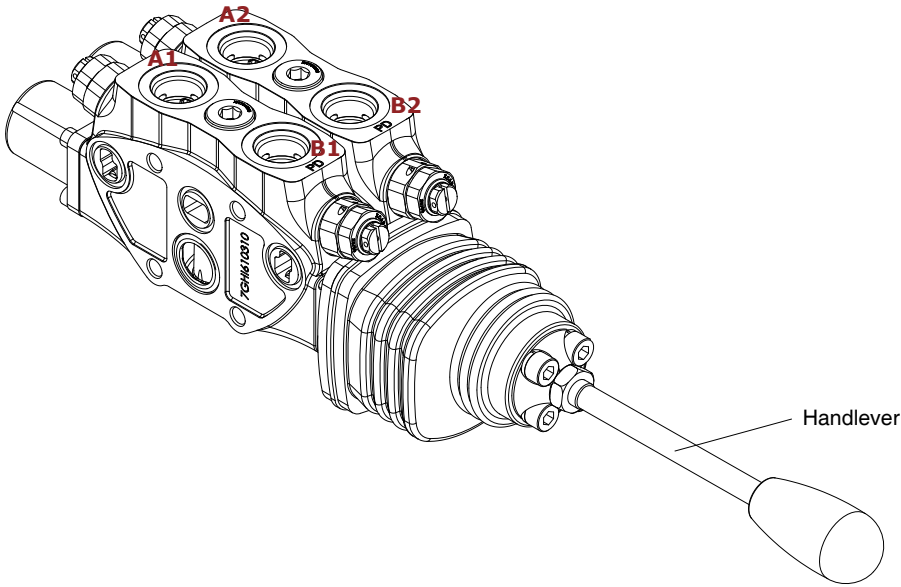
NOTE - For further information about remote controls with flexible cables, please see D1WWEF02E catalogue.

SD8 directional control valve

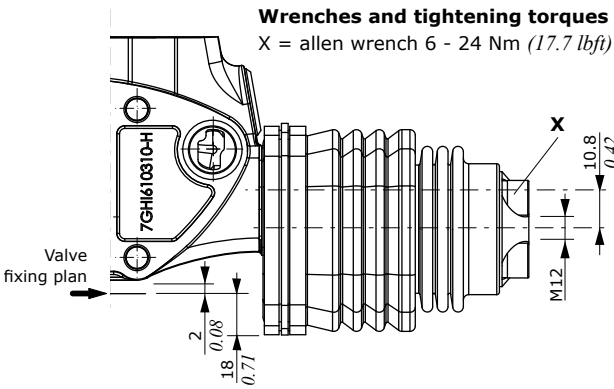
"B" side option

LCB joystick

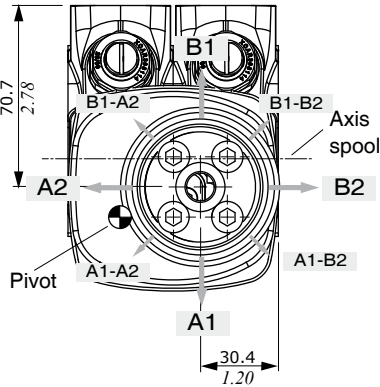
Joystick lever for 2 section operation



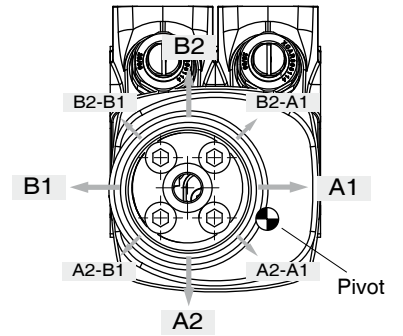
Dimensions and movement scheme for left inlet directional valve



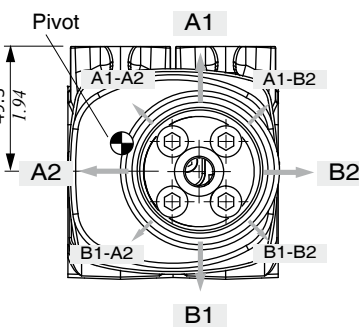
LCB1 configuration with pivot placed below on the left



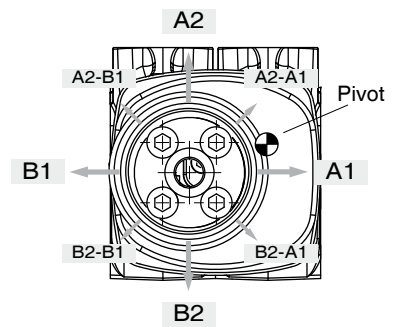
LCB2 configuration with pivot placed below on the right



LCB3 configuration with pivot placed above on the left

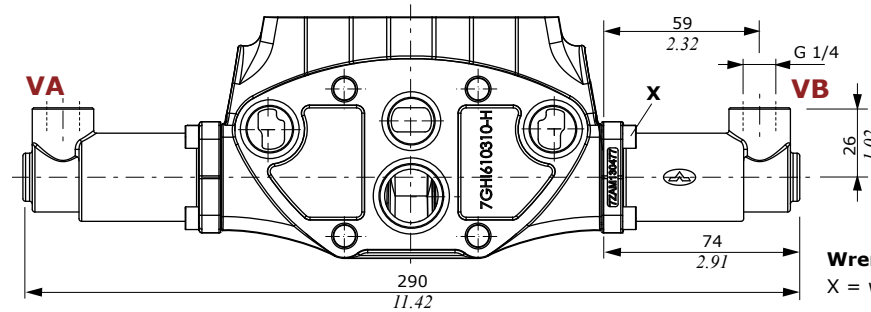


LCB4 configuration with pivot placed above on the right

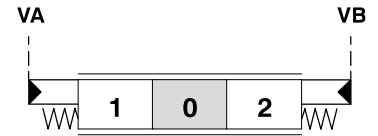


Proportional hydraulic controls

It can be used with standard spools and dedicated elements (see page 22); without seals on spool.

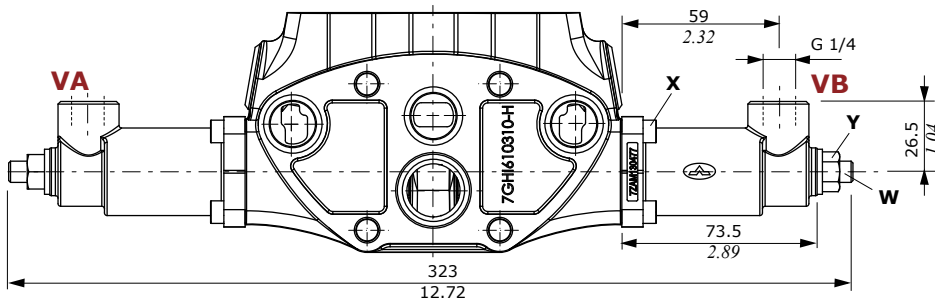


8IM type



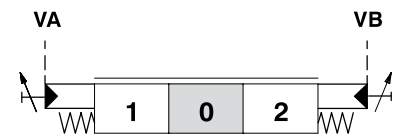
Wrenches and tightening torques

X = wrench 4 - 6.6 Nm (4.9 lbft)



8IMF3 type

Execution with screws for spool stroke adjusting



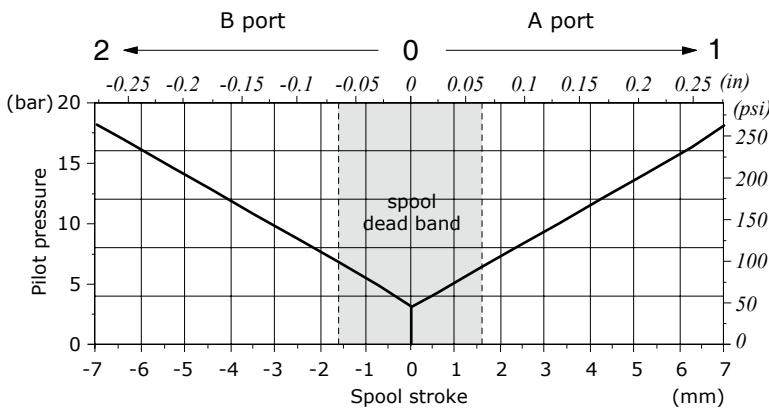
Wrenches and tightening torques

X = allen wrench 4 - 6.6 Nm (4.9 lbft)

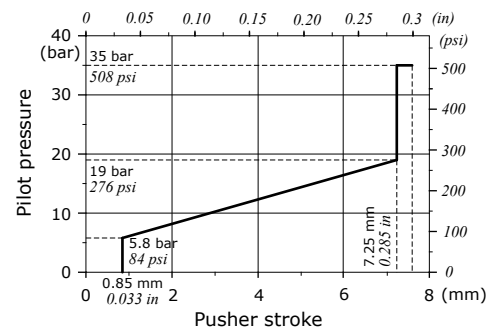
Y = wrench 13 - 24 Nm (17.7 lbft)

W = wrench 4

Pressure - stroke diagram



Control curve with step on VA and VB port: 033 type

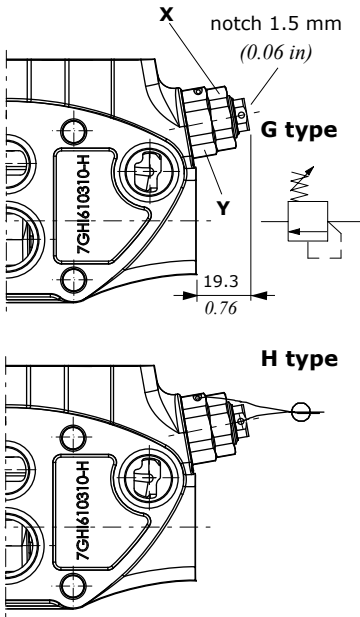


Features

Pilot pressure : max. 30 bar (435 psi)

Port valves

P type antishock valves



Legenda

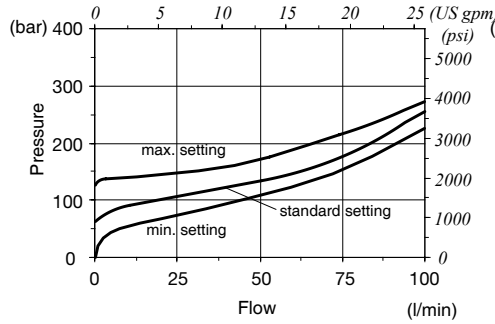
G: adjustable with screw
H: valve set and locked

Wrenches and tightening torques

X = wrench 22 - 24 Nm (17.7 lbf_t)
Y = wrench 24 - 42 Nm (31 lbf_t)

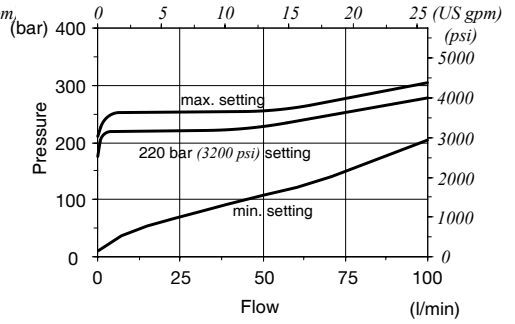
PG2 setting range

From 55 to 140 bar (from 800 to 2000 psi)



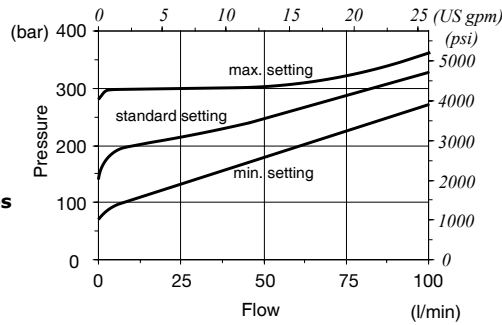
PG3 setting range

From 50 to 220 bar (from 725 to 3200 psi)

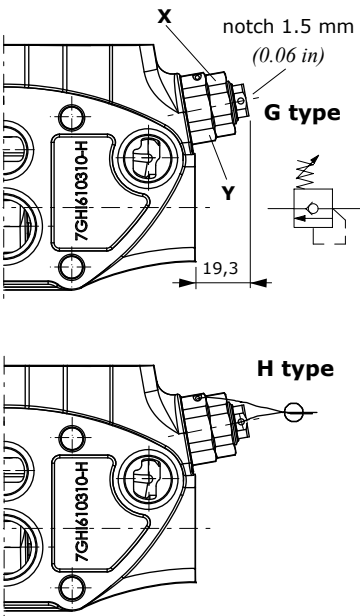


PG4 setting range

From 180 to 350 bar (from 2600 to 5100 psi)



U type anti-shock and anti-cavitation valves



Legenda

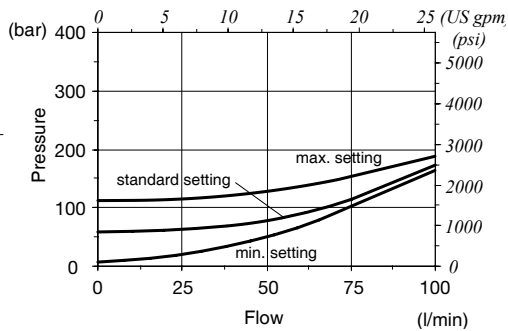
G: adjustable with screw
H: valve set and locked

Wrenches and tightening torques

X = wrench 22 - 24 Nm (17.7 lbf_t)
Y = wrench 24 - 42 Nm (31 lbf_t)

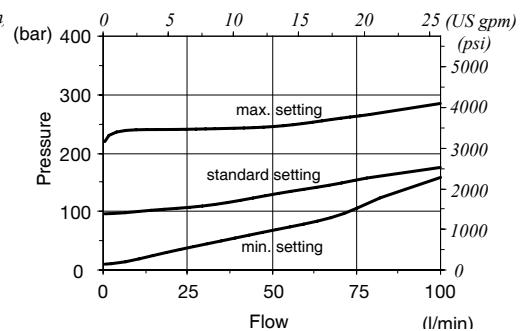
UG2 setting range

From 35 to 90 bar (from 510 to 1300 psi)



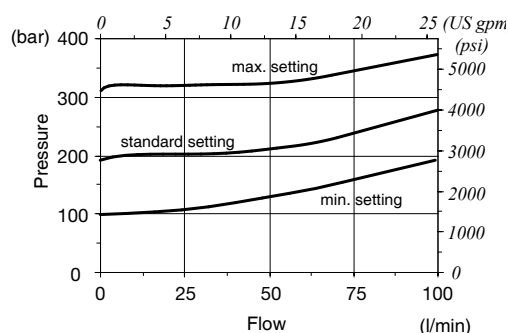
UG3 setting range

From 100 to 250 bar (from 1450 to 3600 psi)

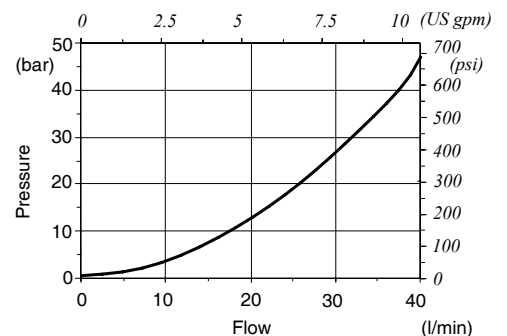


UG4 setting range

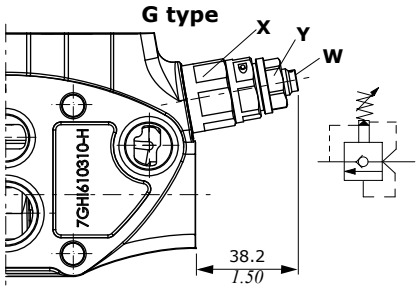
From 180 to 350 bar (from 2600 to 5100 psi)



P ⇒ T pressure drop



UXW type pilot operated anti-shock and anticavitation valve



Legenda

G: adjustable with screw

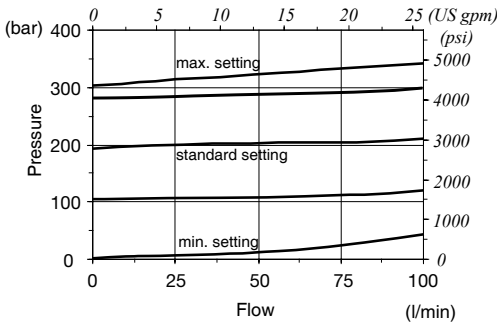
Wrenches and tightening torques

X = wrench 24 - 42 Nm (31 lbft)

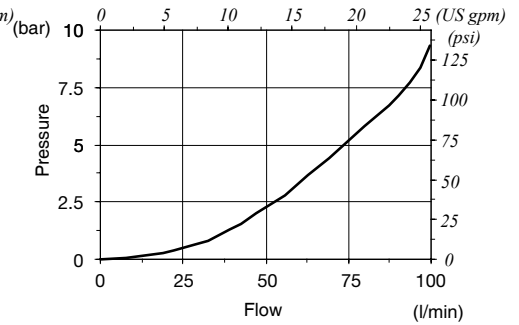
Y = wrench 17 - 24 Nm (17.7 lbft)

W = allen wrench 5

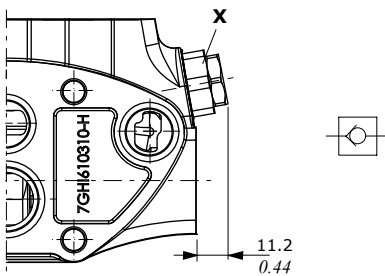
Range setting



Pressure drop in anticavitation



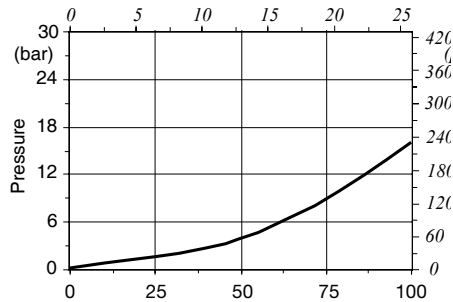
C anticavitation valve



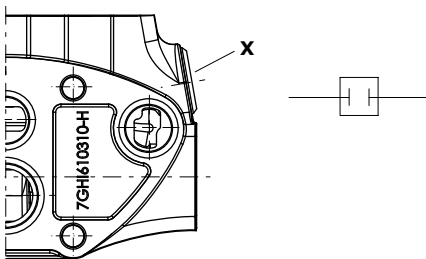
Wrenches and tightening torques

X = wrench 24 - 42 Nm (31 lbft)

Pressure drop



Valve blanking plug

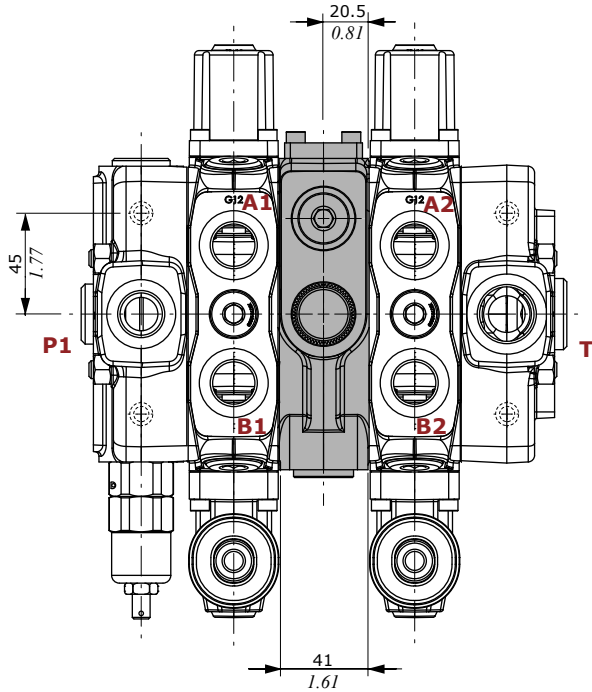


Wrenches and tightening torques

X = allen wrench 10 - 42 Nm (31 lbft)

DFG pressure compensated flow divider section

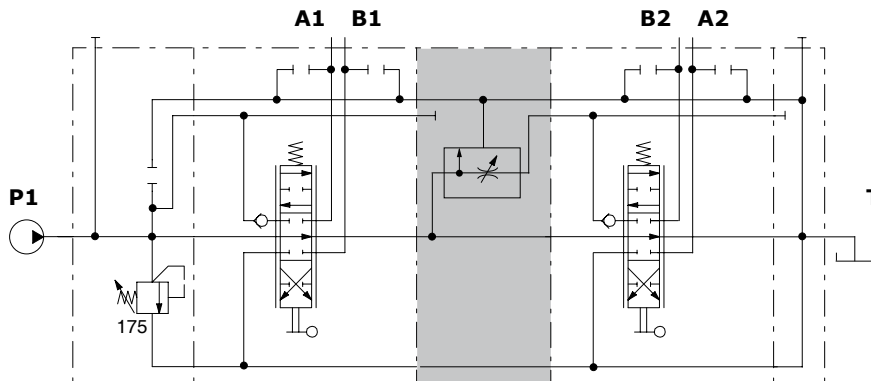
The flow on the downstream sections can be adjusted from 0 to 80 l/min (21 US gpm) by means of graduated handwheel; exceeding setting flow goes to tank.



Wrenches and tightening torques

- X = wrench 21 - 24 Nm (17.7 lbft)
- Y = allen wrench 8 - 24 Nm (17.7 lbft)
- W = wrench 10 - 42 Nm (31 lbft)
- Z = allen wrench 4 - 6.6 Nm (4.9 lbft)

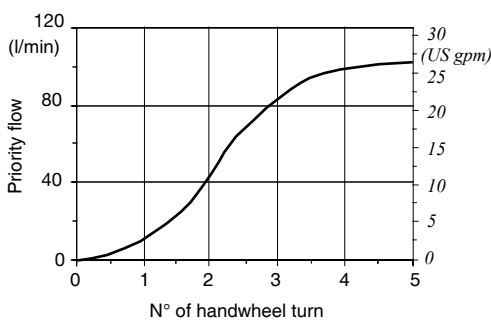
Hydraulic circuit



Description example:
SD8/2/AC(YG3-175)/18L/DFG/18L/RC

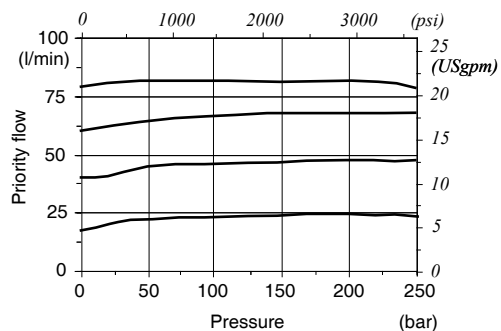
Flow regulation diagram

P= 100 bar (1450 psi)



Pressure-flow diagram

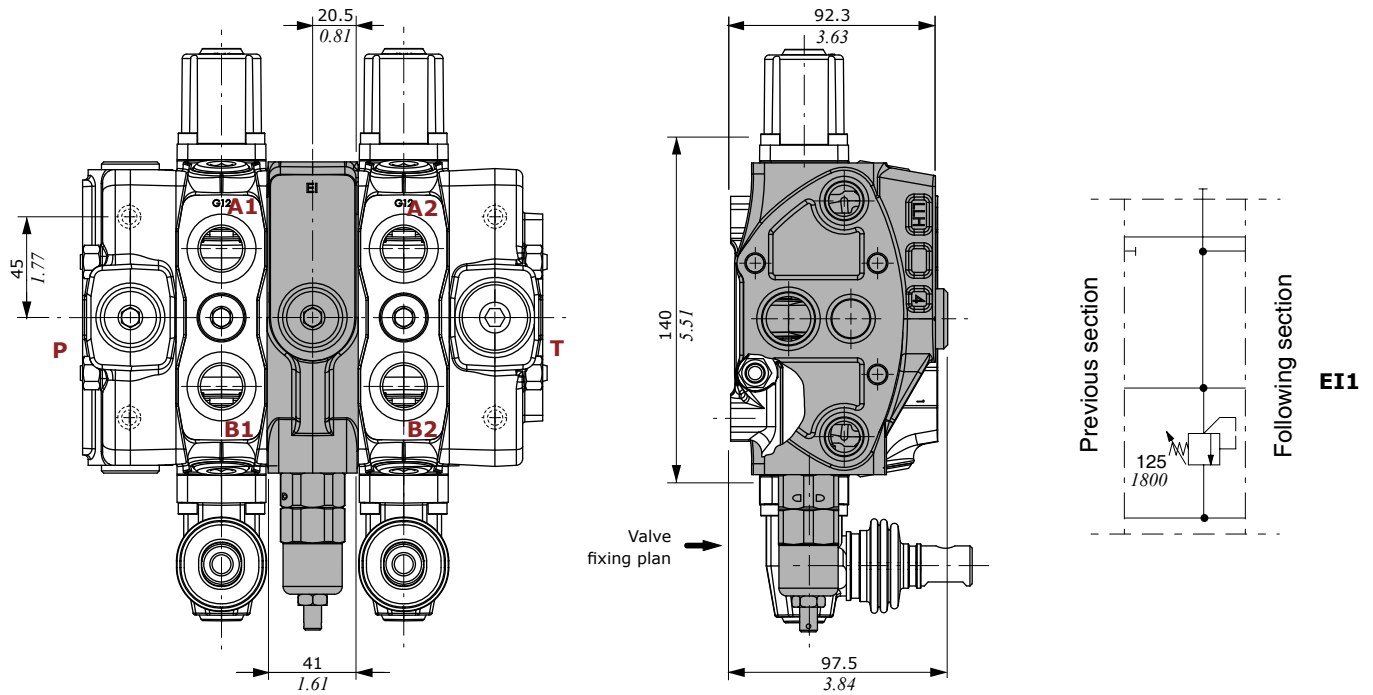
Q_n = 110 l/min (29 US gpm)



EI relief valve sections

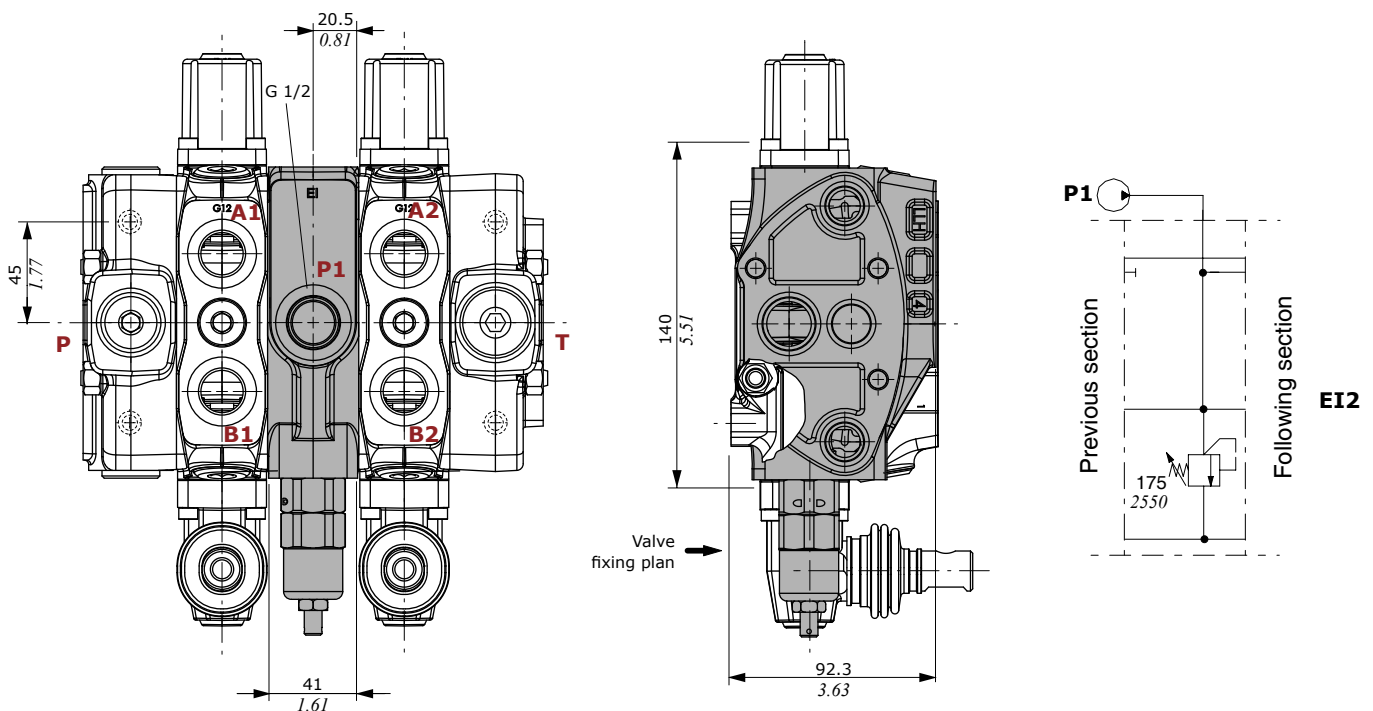
The operation of upstream section excludes the EI downstream section; the pressure of the downstream sections should be adjusted at least 20 bar (290 psi) below the relief valve setting. The relief cavity is the same as the one in the inlet cover; it allows to use direct operated (Y type) as well as pilot operated (X type) relief valves. EI2 execution is prearranged for a second inlet.

EI1 execution



Description example: SD8/2/AC(YG3-125)/18L/EI1(YG3-120)/18L/RC

EI2 execution

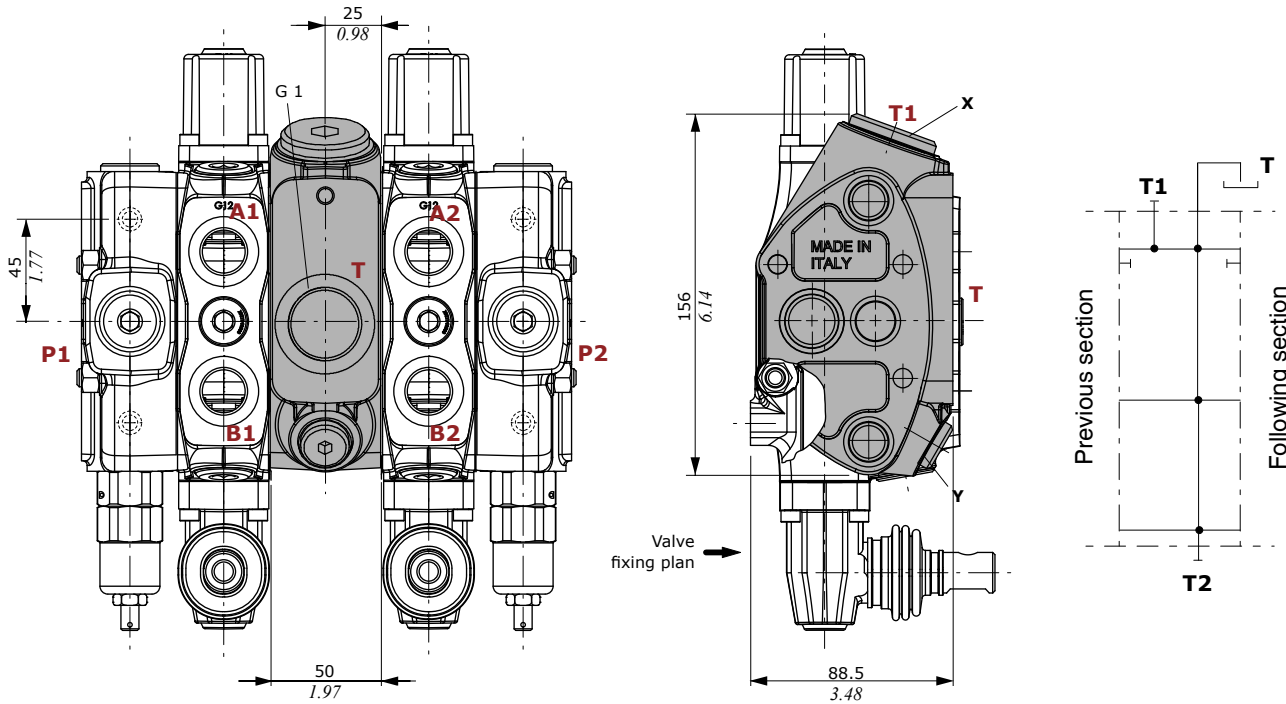


Description example: SD8/2/AC(YG3-175)/18L/EI2(YG2-80)/18L/RC

CS mid return manifold sections

Mid return manifolds for directional valve with both left and right inlet; they allow 2 independent circuits with common outlet.

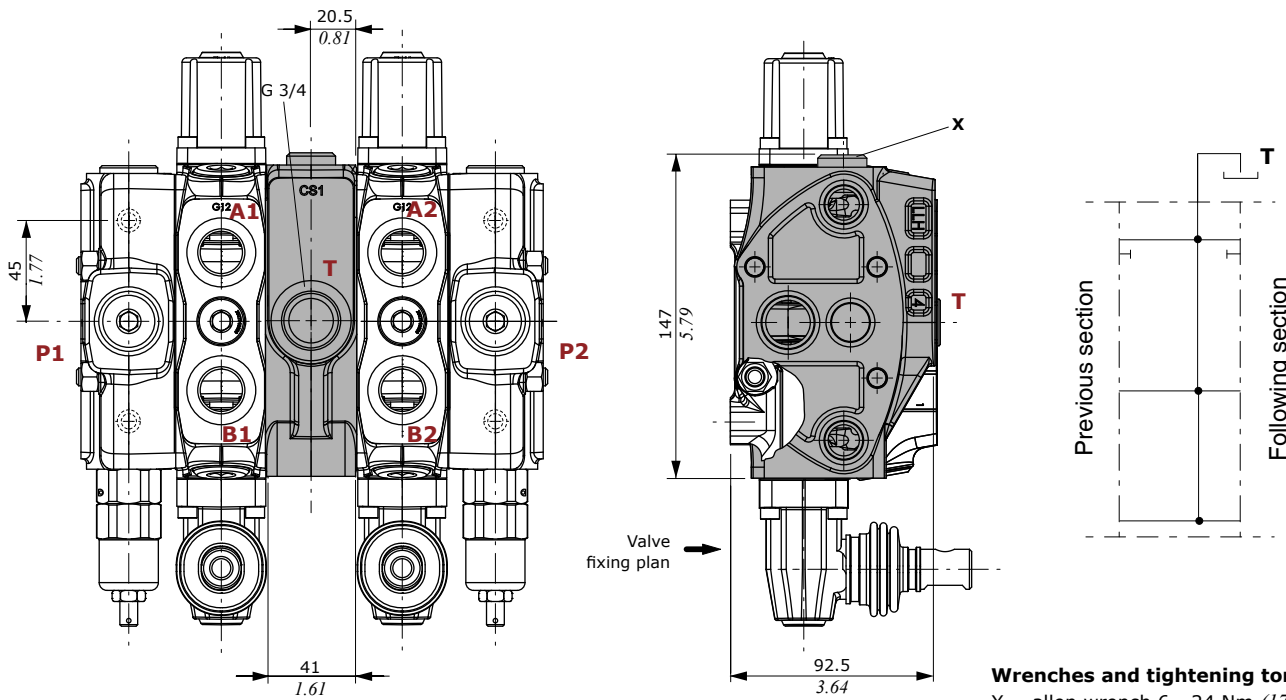
CST type



Description example: SD8/2/AC(YG3-175)/18L/CST/18L/BC(YG3-175)

Wrenches and tightening torques
 X = allen wrench 12 - 42 Nm (31 lbft)
 Y = allen wrench 6 - 24 Nm (17.7 lbft)

CS1 type

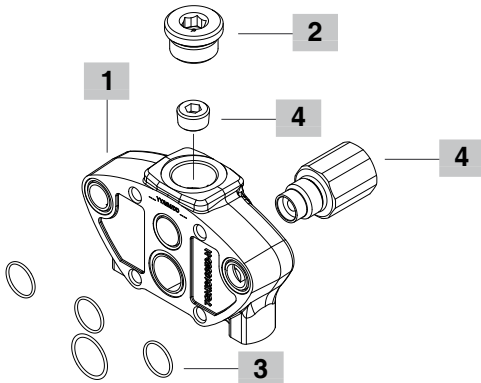


Description example: SD8/2/AC(YG3-175)/18L/CS1/18L/BC(YG3-175)

Wrenches and tightening torques
 X = allen wrench 6 - 24 Nm (17.7 lbft)

FS SD80 / RC -

- 5**
- RC** With side outlet
- RD** With upper outlet
- RE** With upper outlet and side carry-over sleeve
- RK** With upper outlet and closed centre
- RV** With backpressure valve: **to be used together with the electro-hydraulic control**



1 Outlet section *

CODE	DESCRIPTION
3FIA208300-H	Outlet section body

2 Plug *

CODE	DESCRIPTION
3XTAP732200	G 3/4 plug

3 O-ring seals

CODE	DESCRIPTION
4GUA118818	O-ring 18.77x1.78 NBR 70 SH (3 pieces)
4GUA125118	O-ring 25.12x1.78 NBR 70 SH

4 Circuit option

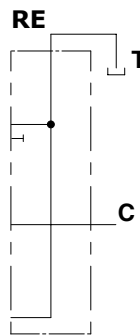
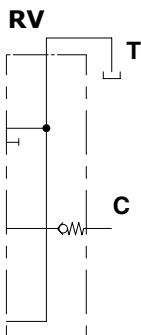
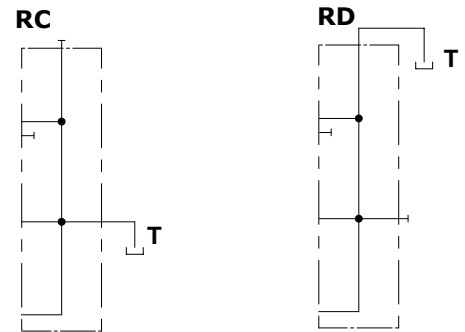
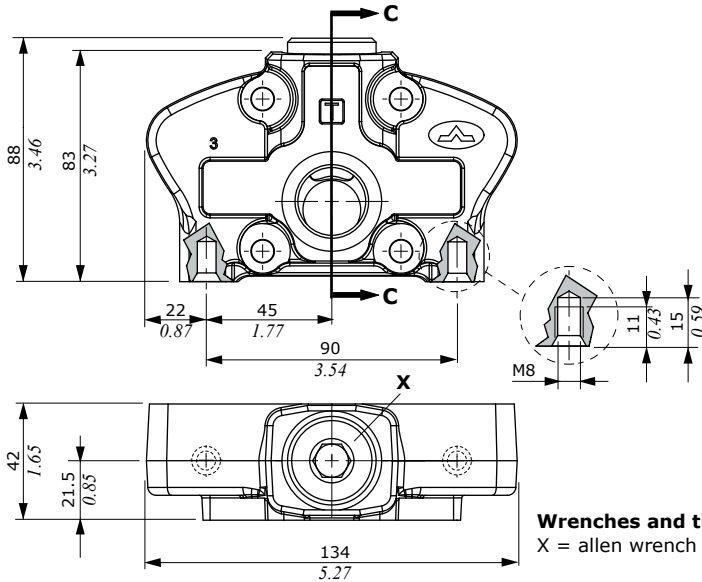
CODE	DESCRIPTION
4TAP318010	M18x1.5 plug for carry-over (RE) and closed centre (RK) options
X047710010(*)	VRE backpressure valve for RV configuration (see page 36)

5 Section threading

Specify only if it is different from BSP standard (see page 4)

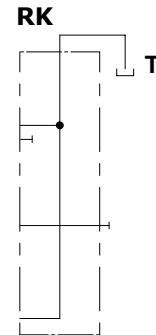
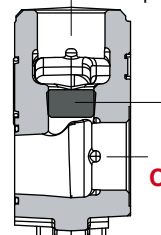
NOTE (*) – Codes are referred to **BSP** thread.

Dimensional data and hydraulic circuit



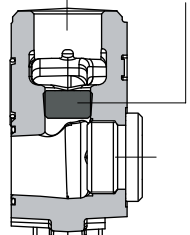
C-C section

DIN906-M18x1.5 tapered plug



C-C section

DIN906-M18x1.5 tapered plug



Working condition

This catalogue shows technical specifications and diagrams measured with mineral oil of 46mm²/s (46 cSt) viscosity at 40°C (104°F) temperature.

Nominal flow rating	on P inlet	120 l/min	32 US gpm
	on A and B ports	100 l/min	26 US gpm
Max. pressure		315 bar	4600 psi
Back pressure (max.)	on T outlet port	25 bar	360 psi
Internal leakage A(B)⇒T (standard)	Δp = 100 bar (1450 psi)	3 cm ³ /min	0.30 cm ³ /min
Fluid		Mineral based oil	
Fluid temperature	with NBR (BUNA-N) seals	from -20°C to 80°C	from -4°F to 176°F
	with FPM (VITON) seals	from -20°C to 100°C	from -4°F to 212°F
Viscosity	operating range	from 15 to 75 mm ² /s	from 15 to 75 cSt
	min.	12 mm ² s	12 cSt
	max.	400 mm ² s	400 cSt
Max. contamination level		-/19/16 - ISO 4406	NAS 1638 - class 10
Environmental temperature for working conditions	with mechanical devices	from -40°C to 60°C	from -40°F to 140°F
Tie rod tightening torque		30 Nm	22 lbft

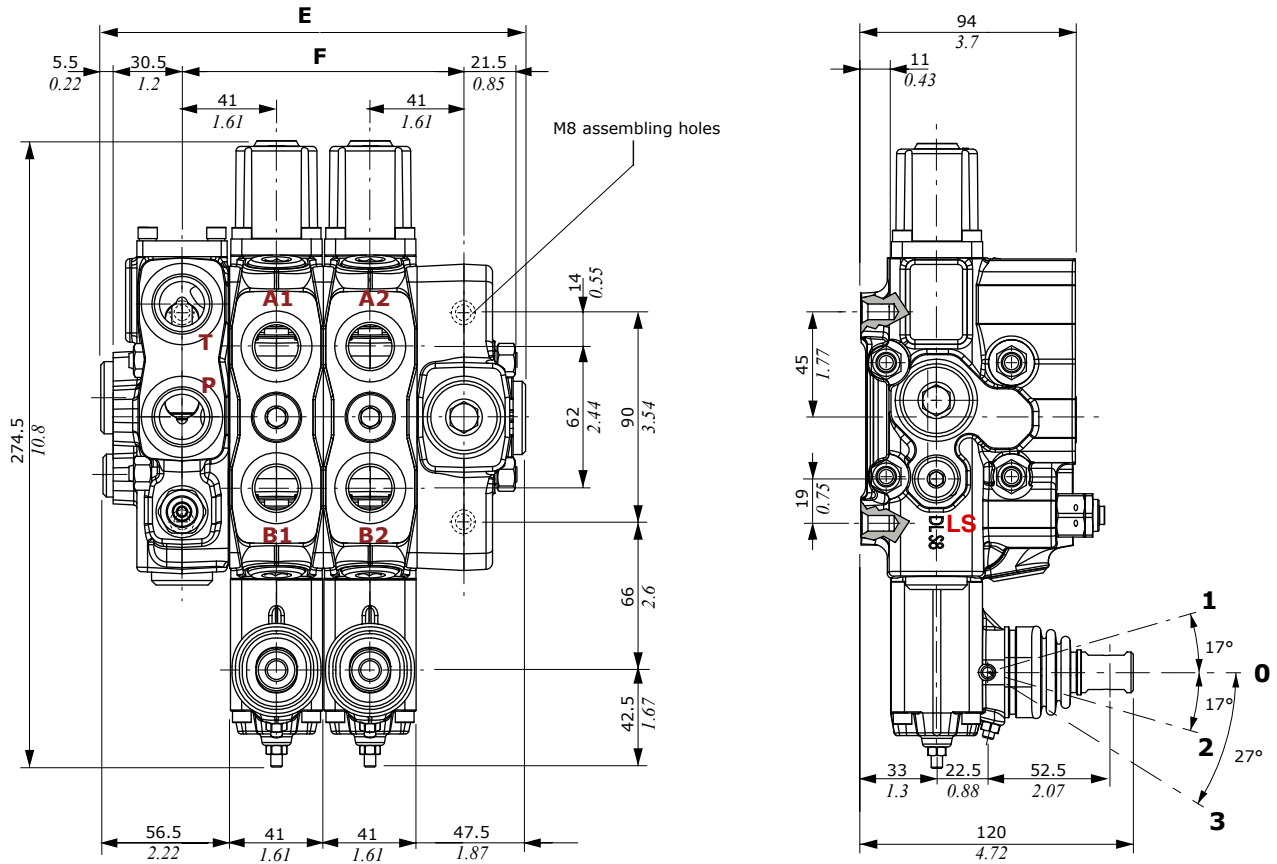
NOTES - For different conditions please contact our Sales Dept.

Standard threads

REFERENCE STANDARD				
		BSP	UN-UNF	NPTF
THREAD ACCORDING TO		ISO 228/1	ISO 263	ANSI B1.20.3
		BS 2779	ANSI B1.1 unified	
CAVITY DIMENSION ACCORDING TO	ISO	1179-1	11926-1	
	SAE		J1926-1	J476a
	DIN	3852-2, X or Y shape		

PORTS THREADING		
MAIN PORTS	BSP	UN-UNF
P inlet	G 3/4	7/8-14 (SAE 10)
A and B ports	G 1/2	3/4-16 (SAE 8)
T outlet	G 3/4	7/8-14 (SAE 10)
LS load sensing	G 1/4	9/16-18 (SAE 6)
PILOT PORTS		
Hydraulic	G 1/4	9/16-18 (SAE 6)
Pneumatic	NPTF 1/8-27	NPTF 1/8-27

Dimensions



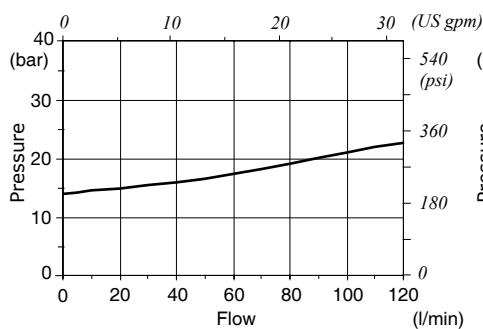
NOTES - Drawings and dimensions are referred to **BSP** thread configuration.

TYPE	E		F		Weight	
	mm	in	mm	in	Kg	lb
DLS8/1	145	5.71	82	3.23	8.6	19
DLS8/2	186	7.32	123	4.84	12.3	27.1
DLS8/3	227	8.93	164	6.46	16	35.3
DLS8/4	268	10.55	205	8.07	19.7	43.4
DLS8/5	309	12.16	246	9.68	23.4	51.6

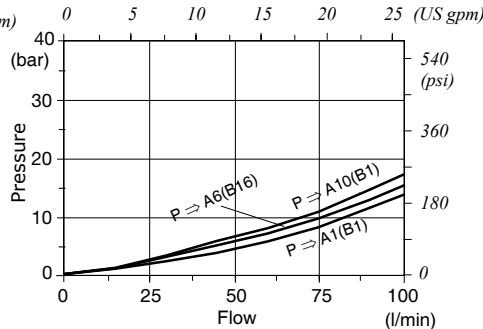
TYPE	E		F		Weight	
	mm	in	mm	in	Kg	lb
DLS8/6	350	13.78	287	11.3	26.9	59.3
DLS8/7	391	15.39	328	12.91	30.6	67.5
DLS8/8	432	17	369	14.52	34.3	75.7
DLS8/9	473	18.61	410	16.13	38	83.9
DLS8/10	514	20.22	451	17.74	41.7	92.1

Performance data

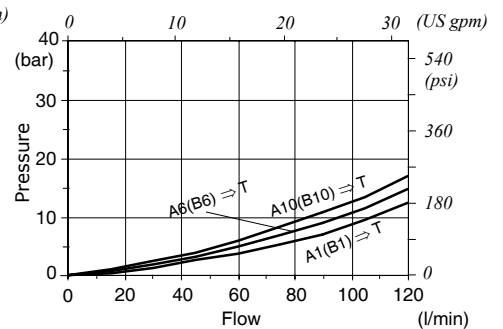
P ⇒ T pressure drop



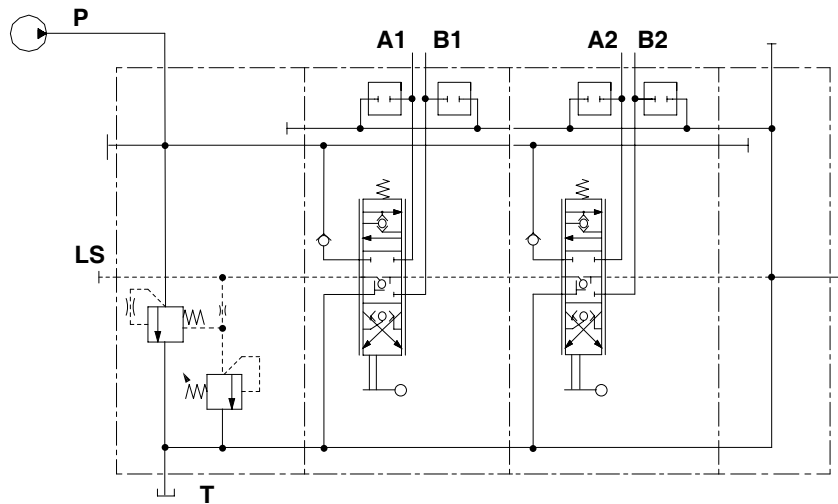
P ⇒ A(B) pressure drop



A(B) ⇒ T pressure drop

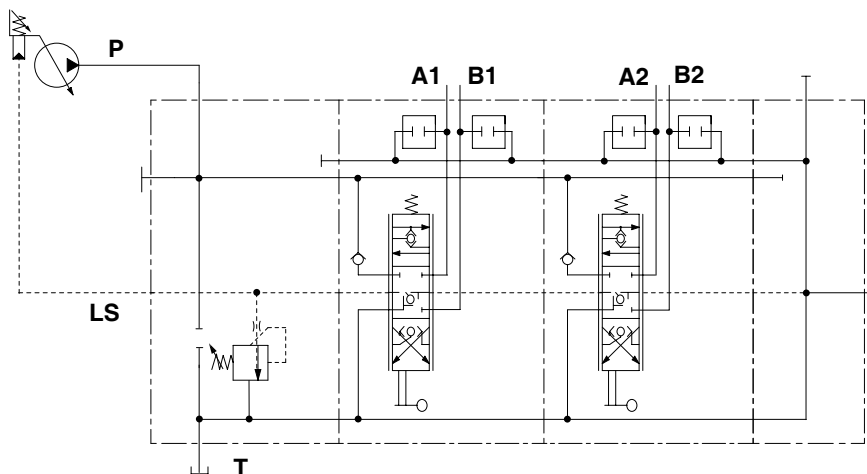


For open centre circuit (fixed displacement pump)

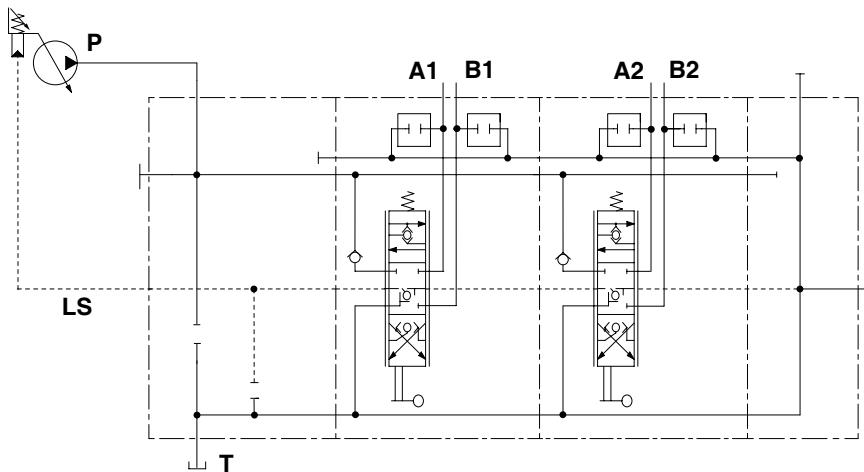


Description example:
DLS8/2/AM(G3-150)/6N8LF3/6N8LF3/RF

For closed centre circuit (variable displacement pump with Load-Sensing compensator)



Description example with L.S. relief valve:
DLS8/2/AN(G3-150)/6N8LF3/6N8LF3/RF



Description example without L.S. relief valve:
DLS8/2/AP(SV)/6N8LF3/6N8LF3/RF

Complete section ordering codes

DLS8 / 2 / AM(G3-150) / 6N8LF3 / 6N8LF3 / RF -

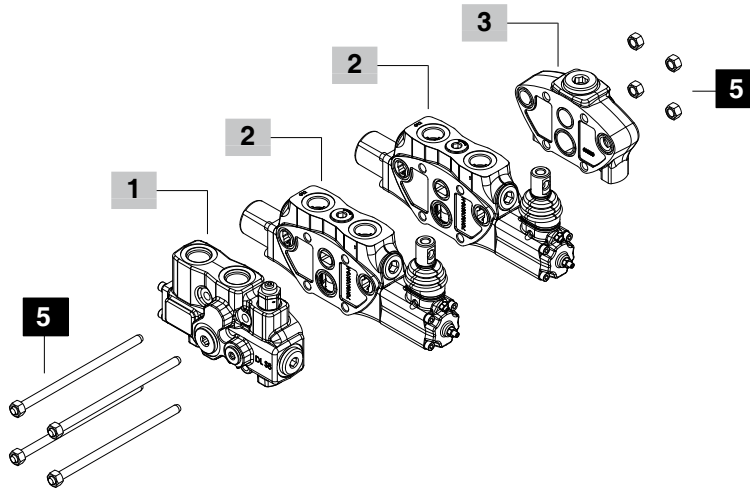
Nr. of working sections

1

2

3

4



1 Inlet section * page 52

TYPE	CODE	DESCRIPTION
AM(G3-150)	61C331000	For open centre circuit, with compensator and L.S. pressure relief valve
AN(G3-150)	61C332000	Without compensator and with L.S. pressure relief valve
AP(SV)	61C333000	Without compensator and without L.S. pressure relief valve

2 Working section * page 56

TYPE	CODE	DESCRIPTION
Q-6N8LF3	61C151001	Parallel circuit, double acting spool with spring return, lever control, without arrangement for port valves
P-6N8LF3	61C131601	As previous one, with arrangement for port valves (omitted in description)

3 Outlet section * page 57

TYPE	CODE	DESCRIPTION
RF	61C431000	Standard outlet section

4 Valve threading

Specify only if it is different from BSP standard (see page 49)

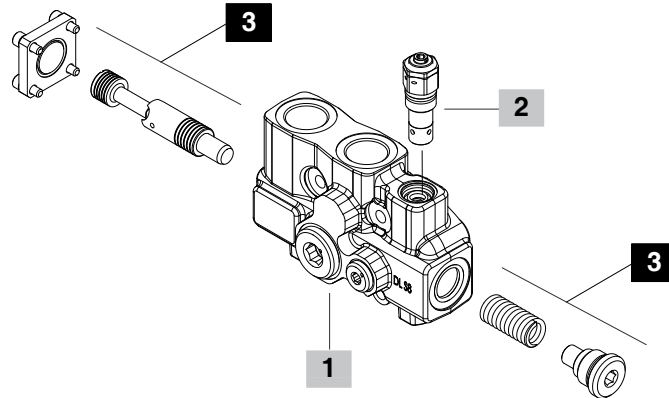
5 Assembling kit

CODE	DESCRIPTION
5TIR108128	Tie rod kit for 1 working section directional valve
5TIR108169	Tie rod kit for 2 working section directional valve
5TIR108210	Tie rod kit for 3 working section directional valve
5TIR108251	Tie rod kit for 4 working section directional valve
5TIR108292	Tie rod kit for 5 working section directional valve
5TIR108333	Tie rod kit for 6 working section directional valve
5TIR108374	Tie rod kit for 7 working section directional valve
5TIR108415	Tie rod kit for 8 working section directional valve
5TIR108456	Tie rod kit for 9 working section directional valve
5TIR108497	Tie rod kit for 10 working section directional valve

NOTE (*) – Codes are referred to **BSP** thread.

FE DLS8 / AM (G3 - 125) - Valve setting (bar)

1 2 4



1 Inlet cover body * page 53

TYPE	CODE	DESCRIPTION
AM	5FIA308310	For compensator and L.S. relief valve
AN	5FIA308311	For compensator blanking kit and L.S. relief valve
AP	5FIA308312	For compensator blanking kit and L.S. relief valve blanking kit

2 L.S. relief valve options page 55

Standard setting is referred to 10 l/min (2.6 US gpm)

TYPE	CODE	DESCRIPTION
ST	XTAP220440	Relief valve blanking plug

L.S. relief valve

(G3-160)	XCAR602100	Range 100-200 bar (1450-2900 psi), standard setting 160 bar (2300 psi)
(G4-250)	XCAR602200	Range 160-315 bar (2300-4550 psi), standard setting 250 bar (3600 psi)

3 Compensator kit

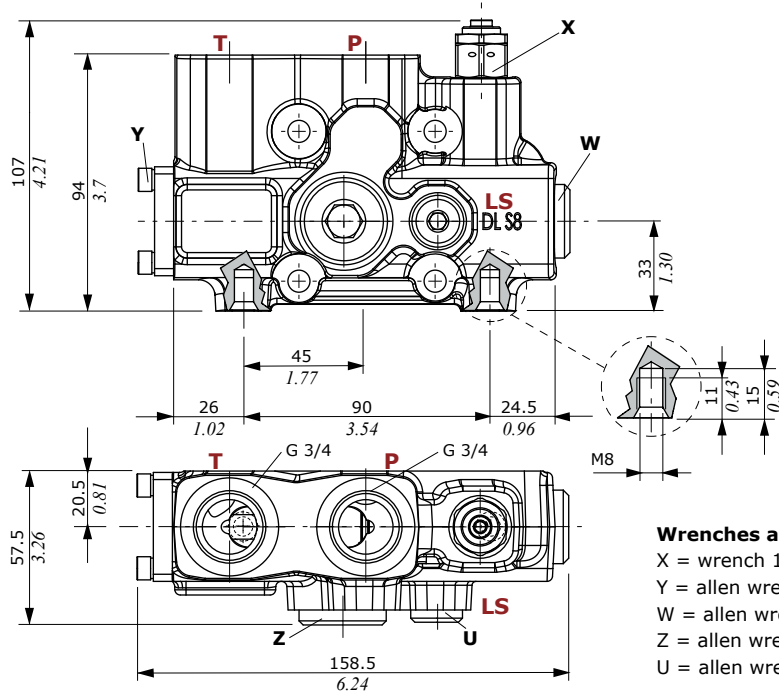
CODE	DESCRIPTION
5KIT008300	Compensator kit, for AM section
5KIT008310	Compensator blanking kit, for AN and AP section

4 Section threading

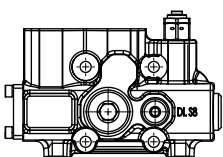
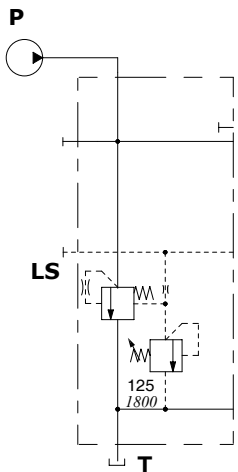
Specify only if it is different from BSP standard (see page 49)

NOTE (*) – Codes are referred to **BSP** thread.

Dimensional data and hydraulic circuit

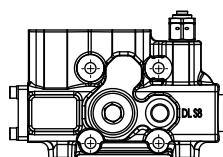
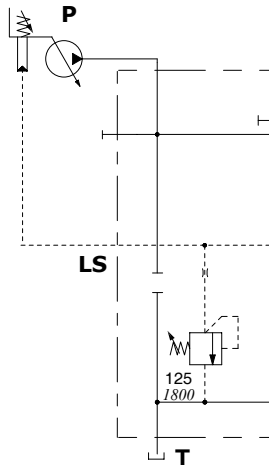


For fixed displacement pump, L.S. compensator (open centre) with main relief valve



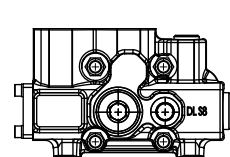
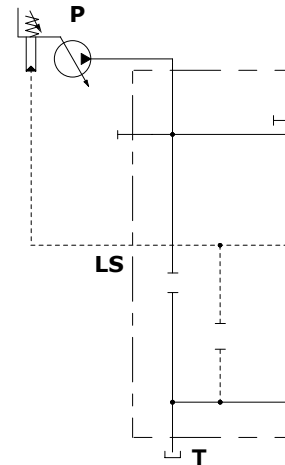
Description example:
AM (G3-125)

For variable displacement pump, (closed centre) with main relief valve



Description example:
AN (G3-125)

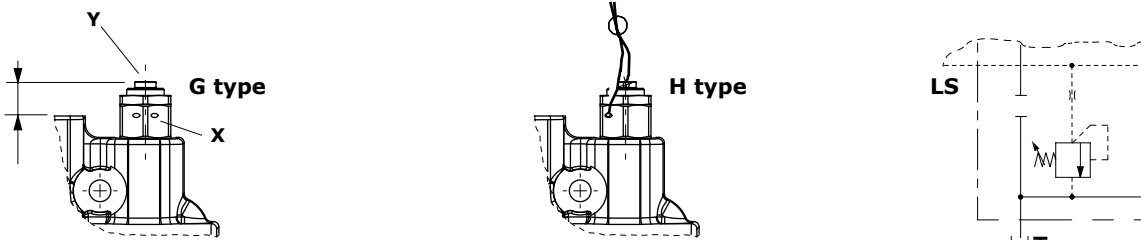
For variable displacement pump, (closed centre) without main relief valve



Description example:
AP (ST)

L.S. relief valve

Configuration type:

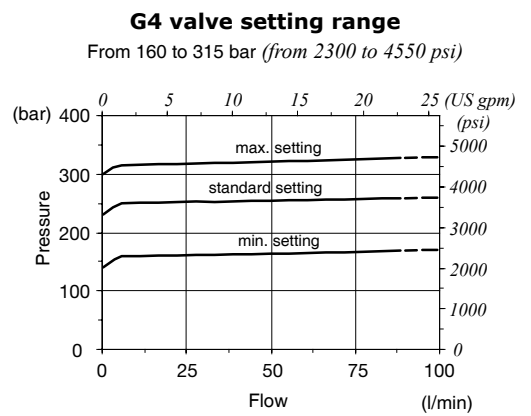
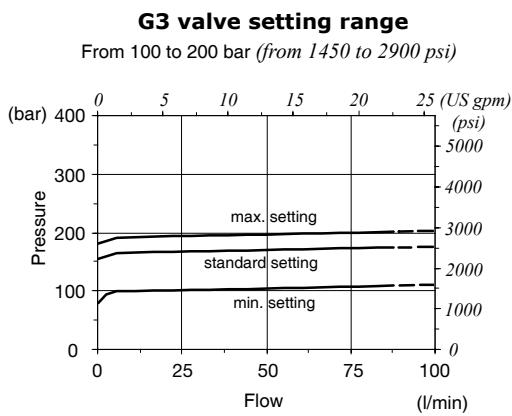


Legenda

- G: adjustable with screw
- H: valve set and locked

Wrenches and tightening torques

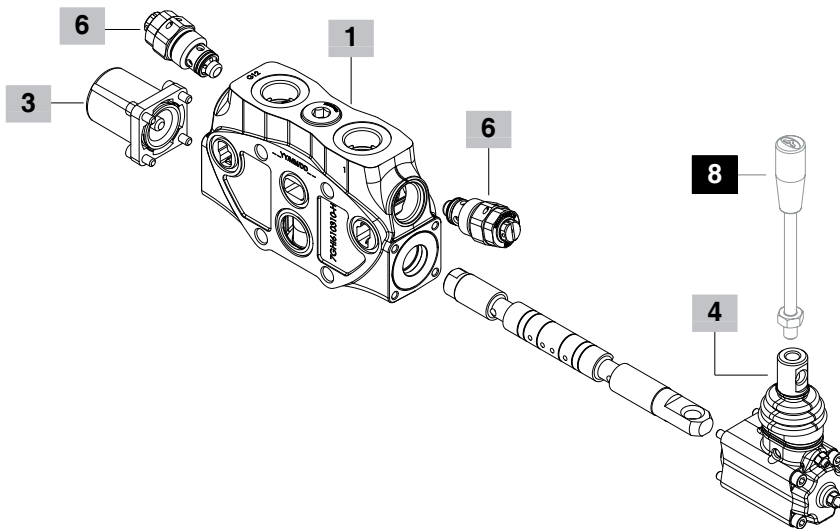
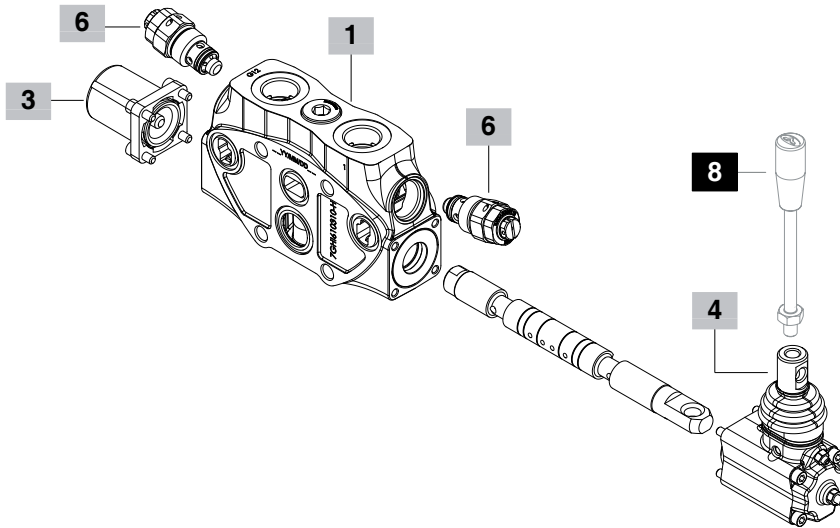
- X = wrench 19 - 24 Nm (17.7 lbf^t)
- Y = allen wrench 4



Part ordering codes

EL DLS8 / (P) - 6N 8 LF3 . P3 (G3 - 100) -
 1 2 3 4 6 7
 1 - on A port
 2 - on B port
 3 - on A and B ports
 Valve setting (bar)

EL DLS8 / (P) - 6N 8IMF3 . P3 (G3 - 100) -
 1 2 5 6 7
 1 - on A port
 2 - on B port
 3 - on A and B ports
 Valve setting (bar)



Part ordering codes

1 Working section kit * page 58

TYPE	CODE	DESCRIPTION
P	5EL1083000	For parallel circuit (omitted in description)
Q	5EL1083010	For parallel circuit without arrangement for port valves

2 Spools page 586**Double acting, 3 positions, with A and B closed in neutral position**

TYPE	CODE	DESCRIPTION
6V	3CU3410020	Up to 20 l/min (5.3 US gpm) flow
6Q	3CU3410040	Up to 40 l/min (10.6 US gpm) flow
6S	3CU3410060	Up to 60 l/min (16 US gpm) flow
6N	3CU3410090	Up to 90 l/min (23.8 US gpm) flow

Double acting, 3 positions, with A and B to tank in neutral position

TYPE	CODE	DESCRIPTION
7V	3CU3425020	Up to 20 l/min (5.3 US gpm) flow
7Q	3CU3425040	Up to 40 l/min (10.6 US gpm) flow
7S	3CU3425060	Up to 60 l/min (16 US gpm) flow
7N	3CU3425090	Up to 90 l/min (23.8 US gpm) flow

3 "A" side spool positioners page 28

TYPE	CODE	DESCRIPTION
7FT	5V07208100	With friction and neutral position notch
8	5V08108010	With spring return in neutral position

4 "B" side options page 36

TYPE	CODE	DESCRIPTION
L	5LEV108000	Standard lever box
LF3	5LEV108710	Lever box with spool stroke limiter
SLP	5COP108000	Without lever box, with dust-proof plate
LCB	5CLO208000	Joystick lever for 2 section operation

5 Complete controls * page 42

TYPE	CODE	DESCRIPTION
8IMF3	5IDR208220	Proportional hydraulic control with spool stroke limiter

6 Port valves page 41

Standard setting is referred to 10 l/min (2.6 US gpm)

TYPE	CODE	DESCRIPTION
-	3XTAP524290	Valve blanking plug (omitted in description)

C XCAR408110 Anti-cavitation valve**Anti-shock valve**

P(G2)	3XCAR208112	Range 55-140 bar (790-2050 psi) standard setting 60 bar (870 psi)
P(G3)	3XCAR208113	Range 63-220 bar (900-3200 psi) standard setting 100 bar (1450 psi)
P(G4)	3XCAR208114	Range 180-350 bar (2600-5100 psi) standard setting 200 bar (2900 psi)

Anti-shock and anti-cavitation valve

U(G2)	XCAR308112	Range 63-125 bar (900-1800 psi) standard setting 63 bar (900 psi)
U(G3)	XCAR308115	Range 100-250 bar (1450-3600 psi) standard setting 100 bar (1450 psi)
U(G4)	XCAR308114	Range 200-315 bar (2900-4600 psi) standard setting 200 bar (2900 psi)

7 Section threading

Specify only if it is different from BSP standard (see page 47)

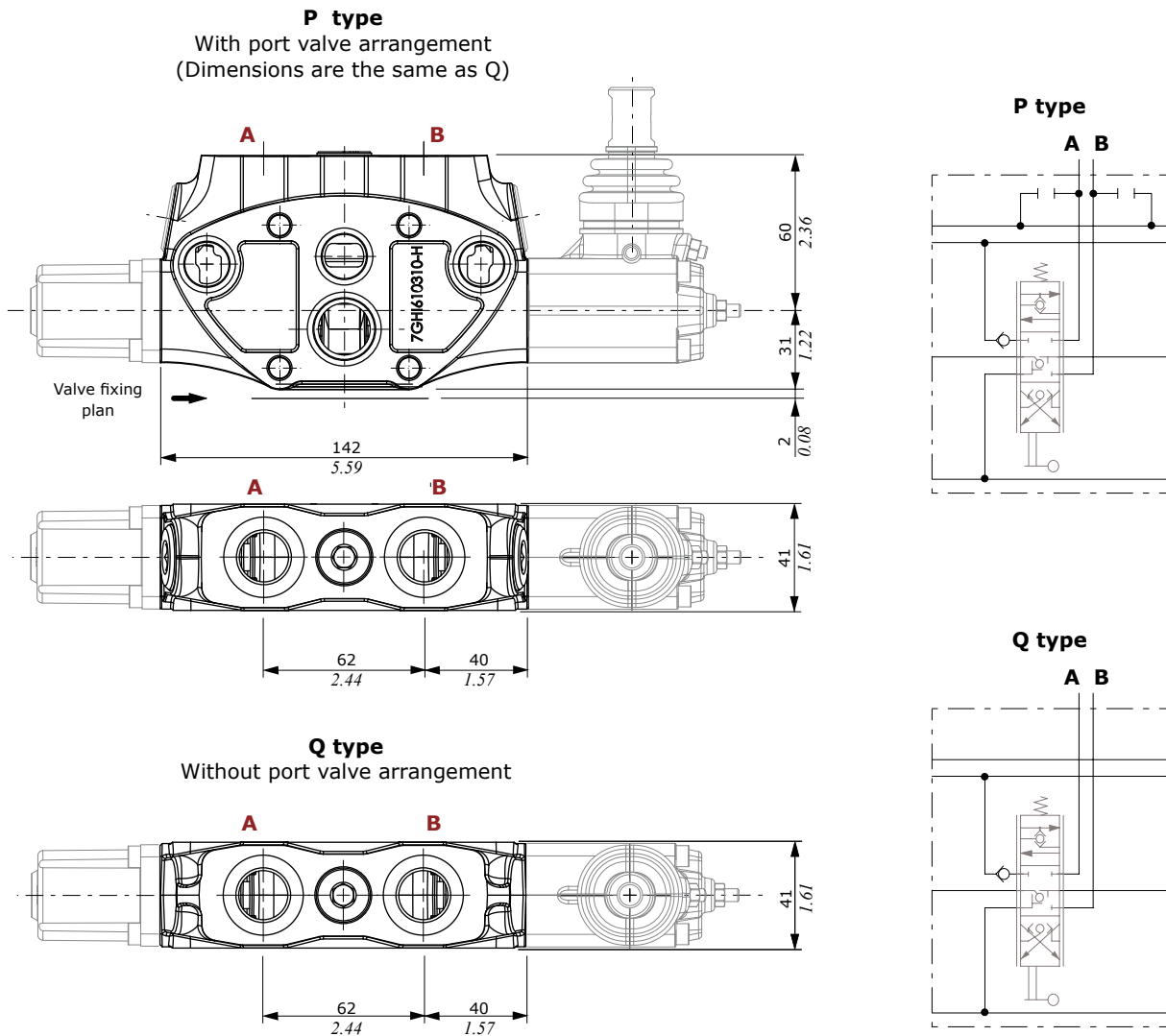
8 Optional handlevers

TYPE	CODE	DESCRIPTION
AL01/M10x200	170012020	For L lever box, 200 mm (7.87 in)
AL08/M12x200	170013120	For LCB joystick, 200 mm (7.87 in)

For handlever features please see dedicated catalogue cod. D1WWEH01E

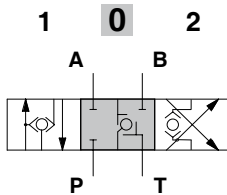
NOTE (*) – Codes are referred to **BSP** thread.

Dimensional data and hydraulic circuit



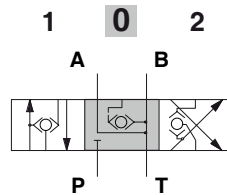
Spools

Type 6V/6Q/6S/6N spool
Double acting, 3 positions with A and B closed in neutral position



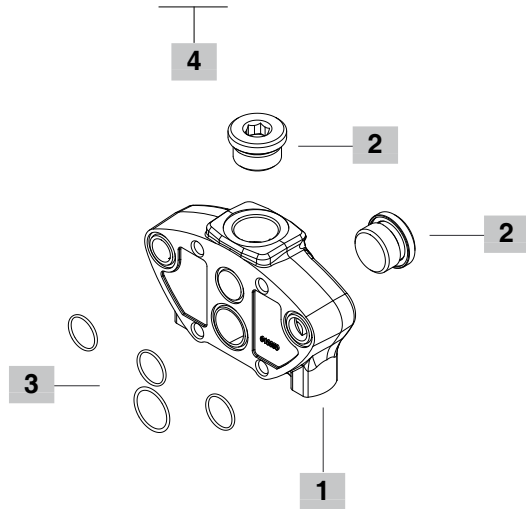
Spool stroke
position 1: + 7 mm (+ 0.28 in)
position 2: - 7 mm (- 0.28 in)

Type 7V/7Q/7S/7N spool
Double acting, 3 positions with A and B to tank in neutral position



Spool stroke
position 1: + 7 mm (+ 0.28 in)
position 2: - 7 mm (- 0.28 in)

FS DLS8 / RF -



1 Outlet section *

CODE	DESCRIPTION
3FIA208300-H	Outlet section body

2 Plug *

CODE	DESCRIPTION
3XTAP732200	G 3/4 plug

3 O-ring seals

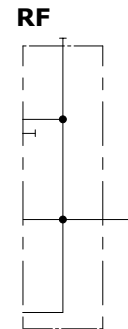
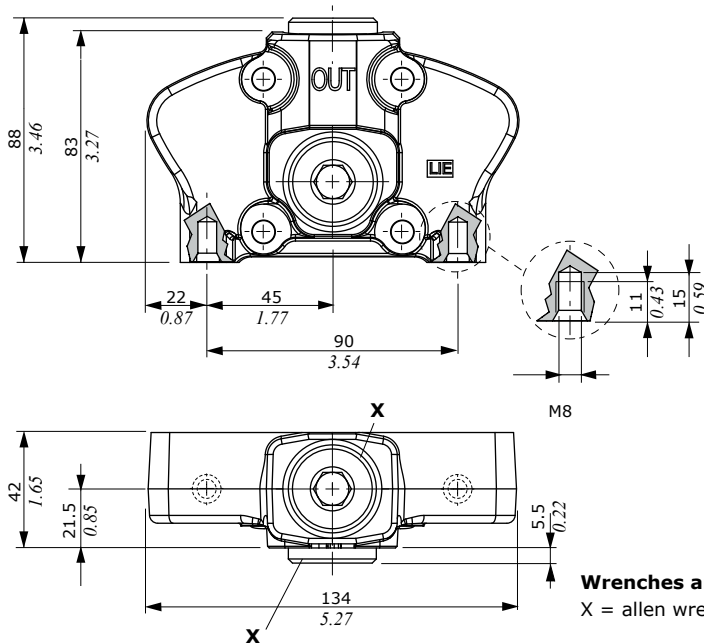
CODE	DESCRIPTION
4GUA118818	O-ring 18.77x1.78 NBR 70 SH (3 pieces)
4GUA125118	O-ring 25.12x1.78 NBR 70 SH (1 piece)

4 Section threading

Specify only if it is different from BSP standard (see page 49)

NOTES (*) - Codes are referred to **BSP** thread.

Dimensional data and hydraulic circuit



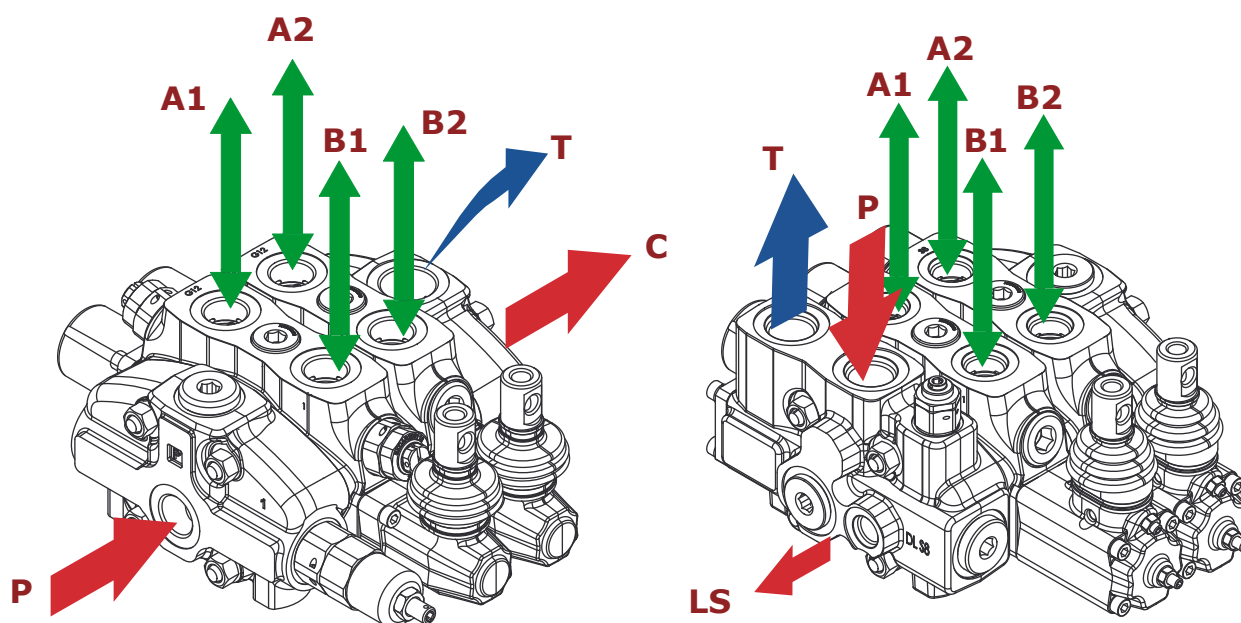
Wrenches and tightening torques
 X = allen wrench 12 - 42 Nm (31 lbft)

Installation and maintenance

The SD8/DLS8 valves are assembled and tested as per the technical specifications of this catalogue.

Before the final installation on your equipment, follow the below recommendations:

- the valve can be assembled in any position; please in order to prevent working section deformation and spool sticking, mount the product on a flat surface;
- in order to prevent the possibility of water entering the lever box and spool control kit, do not use high pressure washdown directly on the valve;
- prior to painting, ensure plastic port plugs are tightly in place.



Fitting tightening torque - Nm (lbft)

THREAD TYPE	P port	A, B port	T, C port	LS signal
BSP	G 1/2	G 1/2	G 3/4	G 1/4
With O-Ring seal	50 - 36.9	50 - 36.9	70 - 51.6	20 - 14.7
With copper washer	60 - 44.3	60 - 44.3	70 - 51.6	25 - 18.4
With steel and rubber washer	60 - 44.3	60 - 44.3	70 - 51.6	16 - 11.8
UN-UNF	7/8-14 (SAE 10)	3/4-16 (SAE 8)	7/8-14 (SAE 10)	9/16-18 (SAE 6)
With O-Ring seal	90 - 66.4	60 - 44.3	90 - 66.4	30 - 22.1
METRIC	M22x1,5	M22x1,5	M27x2	M14x1,5
With O-Ring seal	60 - 44.3	60 - 44.3	100 - 73.7	35 - 25.8

NOTES – This torque is recommended. Assembly tightening torque depends on many factors, including lubrication, coating and surface finish. The manufacturer has to be consulted.

Types and ordering codes

Coil type	Voltage	Connectors					
		ISO4400	Deutsch DT	AMP JPT	Packard Weatherpack	Packard Metri-pack	Flying leads (without conn.)
BER	10 VDC	4SLE001000A	-	-	-	-	-
	12 VDC	4SLE001200A	4SLE001201A ⁽⁵⁾	4SLE001203A ⁽⁴⁾	4SLE001210A ⁽²⁾	4SLE001214A ⁽²⁾	4SLE001207A
		4SLE001217A ⁽³⁾	4SLE001209A ⁽³⁻⁴⁾	4SLE001211A ⁽³⁻⁴⁾	-	-	-
		-	4SLE001202A ⁽⁵⁾	-	-	-	-
		-	4SLE001216A ⁽³⁻⁵⁾	-	-	-	-
	14 VDC	-	4SLE001400A ⁽⁶⁾	4SLE001403A ⁽³⁻⁵⁾	-	-	-
		-	4SLE001401A ⁽³⁻⁶⁾	-	-	-	-
	24 VDC	4SLE002400A	4SLE002401A ⁽⁴⁾	4SLE002403A ⁽⁴⁾	-	-	4SLE002404A
		4SLE002408A ⁽³⁾	4SLE002407A ⁽³⁻⁴⁾	-	-	-	-
	28 VDC	-	4SLE002402A ⁽⁵⁾	-	-	-	-
48 VDC	4SLE004800A	4SLE002802A ⁽⁶⁾	4SLE002800A ⁽⁵⁾	-	-	-	
110VDC	4SLE004800A ⁽¹⁾	-	-	-	-	-	
220 VDC	4SLE011000A	-	-	-	-	-	
220 VDC	4SLE311000A ⁽¹⁾	-	-	-	-	-	
220 VDC	4SLE022000A	-	-	-	-	-	
220 VDC	4SLE322000A ⁽¹⁾	-	-	-	-	-	
BT	10 VDC	4SL3000100	-	-	-	-	
	12 VDC	4SL3000120	4SL3000130 ⁽⁶⁾	4SL3000122 ⁽⁵⁾	4SL3000124 ⁽²⁾	4SL3000127 ⁽²⁾	4SL300012C
		4SL3000126 ⁽⁴⁾	4SL3000134 ⁽³⁻⁶⁾	4SL3001200 ⁽³⁻⁵⁾	-	-	-
		-	4SL3000128 ⁽²⁾	-	-	-	-
	24 VDC	4SL3000240	4SL3000249 ⁽⁶⁾	4SL3000248 ⁽⁵⁾	-	-	4SL3000246
	26 VDC	4SL3030240 ⁽¹⁾	4SL300024C ⁽³⁻⁶⁾	-	-	-	-
	48 VDC	4SL3000260	-	-	-	-	-
	110 VDC	4SL3000480	-	-	-	-	-
220 VDC	4SL3030480 ⁽¹⁾	-	-	-	-	-	
BPV	12 VDC	4SL3001100	-	-	-	-	-
	24 VDC	4SL3031100 ⁽¹⁾	-	-	-	-	-
	220 VDC	4SL3002200	-	-	-	-	-
220 VDC	4SL3032200 ⁽¹⁾	-	-	-	-	-	
Mating connectors (for connector with rectifier see following table)	12 VDC	4SLA001200	-	-	-	-	4SLA001201
	24 VDC	4SLA002400	-	-	-	-	4SLA002401
Mating connectors (for connector with rectifier see following table)		4CN1009995	5CON140031	5CON003	5CON001	5CON017	-

NOTES - ⁽¹⁾ supply with AC and use only with rectifier connector - ⁽²⁾ with flying leads - ⁽³⁾ with bidirectional diode
⁽⁴⁾ with unidirectional diode - ⁽⁵⁾ integrated perpendicular type - ⁽⁶⁾ integrated parallel type

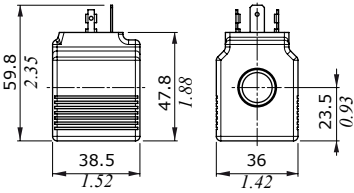
Voltage	ISO 4400 mating connector with rectifier	
	BER type coil	BT type coil
24 VDC	4CN1010240	4CN3010240
48 VDC	4CN1010480	4CN3010480
110 VDC	4CN1011100	4CN3011100
220 VDC	4CN1012200	4CN3012200

Coils

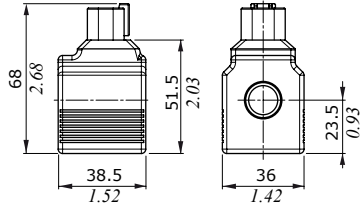
Dimensions and features

BER type

ISO4400 connector



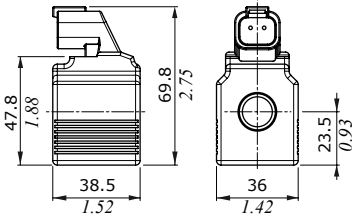
DEUTSCH DT04 connector (perpendicular type)



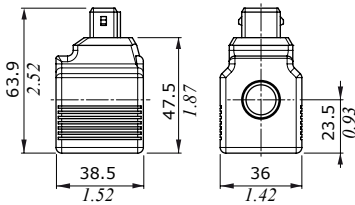
Features

- Nominal voltage tolerance : $\pm 10\%$
- Power rating : 19.2 W - 10/12/24/48/
110/220 VDC
- : 19 W - 24/110/220 RAC
- : 19.2 W - 48 RAC
- Max. operating current . . . : 1.9 A - 10 VDC
- : 1.61 A - 12 VDC
- : 0.80 A - 24 VDC
- : 0.40 A - 48 VDC
- : 0.17 A - 110 VDC
- : 0.09 A - 220 VDC
- : 0.89 A - 24 RAC
- : 0.45 A - 48 RAC
- : 0.19 A - 110 RAC
- : 0.09 A - 220 RAC
- Coil insulation : Class H (180°C - 356°F)
- Weather protection : IP65 - ISO4400
- : IP69K - Deutsch DT
- : IP65 - AMP JPT
- : IP67 - Weatherpack
- : IP67 - Metri-pack
- Insertion : 100%

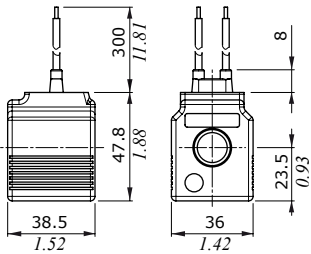
DEUTSCH DT04 connector (parallel type)



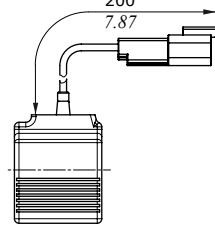
AMP JPT connector



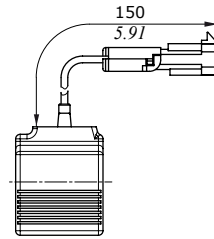
Flying leads



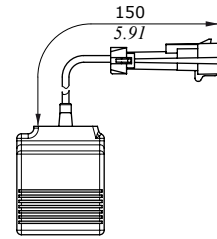
Flying leads with DEUTSCH DT04 connector



Flying leads with PACKARD WEATHER-PACK connector

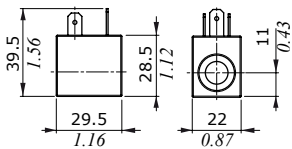


Flying leads with PACKARD METRI-PACK connector

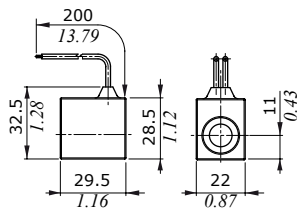


BPV type

ISO4400 connector



Flying leads



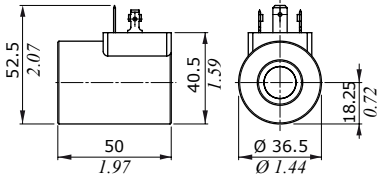
Features

- Nominal voltage tolerance . . . : $\pm 10\%$
- Power rating : 8 W - 12/24 VDC
- Max. operating current : 0.67 A - 12 VDC
- : 0.33 A - 24VDC
- Coil insulation : Class H (180°C - 356°F)
- Weather protection : IP65 - ISO4400
- Insertion : 100%

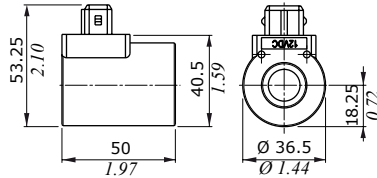
Dimensions and features

BT type

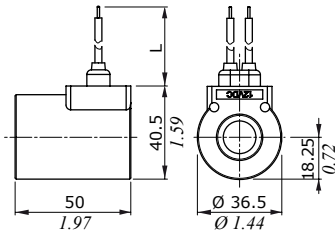
ISO4400 connector



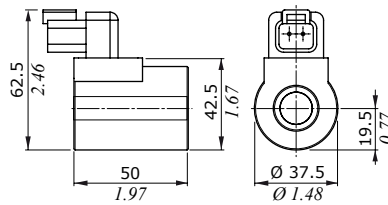
AMP JPT connector



Flying leads



DEUTSCH DT04 connector



Coil type	Dimension L	
	(mm)	(in)
12VDC	247	9.72
24VDC	307	12.09

Features

- Nominal voltage tolerance... : ±10%
- Power rating : 19 W - 10 VDC
: 21 W - 12/24/26 VDC
: 20.3 W - 48 VDC
: 17.3 W - 110 VDC
: 17.7 W - 220 VDC
: 19.9 W - 24 RAC
: 20.7 W - 48 RAC
: 20 W - 110/220 RAC

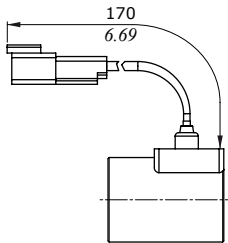
- Max. operating current . . . : 1.9 A - 10 VDC
: 1.77 A - 12 VDC
: 0.89 A - 24VDC
: 0.84 A - 26 VDC
: 0.43 A - 48 VDC
: 0.16 A - 110 VDC
: 0.08 A - 220 VDC
: 0.93 A - 24 RAC
: 0.47 A - 48 RAC
: 0.18 A - 110 RAC
: 0.09 A - 220 RAC

- Coil insulation : Classe F (155°C - 311°F)
- Weather protection : IP65 - ISO4400

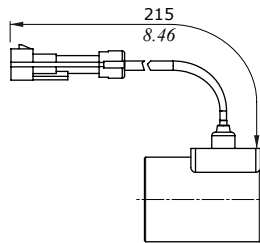
- : IP69K - Deutsch DT
- : IP65 - AMP JPT
- : IP67 - Weatherpack
- : IP67 - Metri-pack

- Insertion : 100%

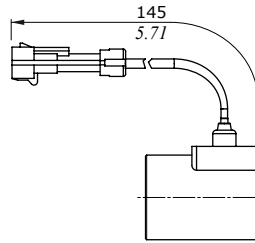
Flying leads with DEUTSCH DT04 connector



Flying leads with PACKARD WEATHER-PACK connector

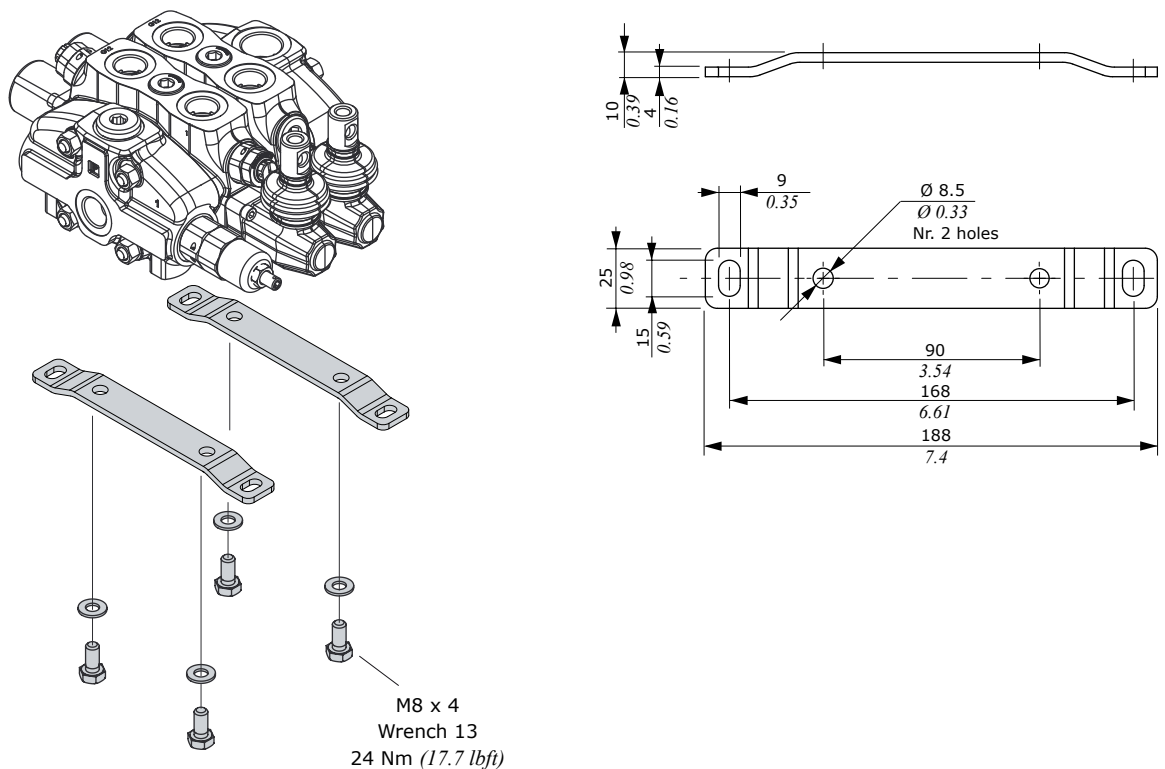


Flying leads with PACKARD METRI-PACK connector



Fixing brackets

Galvanized steel made, with screws and washers; available for SD8 and DLS8 valves.



Painting

SD8/DLS8 valve can be supplied with one coat of black paint (**CVN** configuration).

Description example: SD8/2/AC(YG3-175)/18L/18L/RC-**<CVN>**

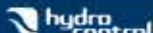
NOTES – For different colour please contact our Sales Dpt.



Innovation · Continuity · Integration
————— It is Power —————

 **walvoil**
FLUID POWER E| MOTION

 walvoil

 hydro control

 Caltex

D1WWEB05E

2nd edition June 2018

Walvoil S.P.A. • 42124 Reggio Emilia • Italy • Via Adige, 13/D • Tel. +39.0522.932411 • Fax +39.0522.300984
www.walvoil.com

