



DFE080

Solenoid control sectional diverter valves

- 6 - 8 - 10 ways configuration
- Galvanized body

This catalogue shows technical specifications and diagrams measured with mineral oil of 46 mm²/s (46 cSt) viscosity at 40°C - (104°F) temperature.

WORKING CONDITIONS		
N. of available ways		6 - 8 - 10
Max. flow rating		25 l/min (6.6 US gpm)
Max. pressure	without drain	200 bar (2900 psi)
	with drain	315 bar (4600 psi)
Available supply voltage	VDC	see reference page 130
Nominal power		38 W
Internal leakage A(B)⇒T	Δp = 100 bar (1450 psi)	7 cm ³ /min (0.42 in ³ /min)
Fluid		Mineral based oil
Tie rod tightening		9.8 Nm (7.22 lbf ^t)
Fluid temperature	with NBR (BUNA-N) seals	from -20°C to 80°C (from -4°F to 176°F)
	with FPM (VITON) seals	from -20°C to 100°C (from -4°F to 212°F)
	operating range	from 15 to 75 mm ² /s (from 15 to 75 cSt)
Viscosity	min.	12 mm ² /s (12 cSt)
	max.	400 mm ² /s (400 cSt)
Max. level of contamination		20/18/15 - ISO 4406 - NAS 1638 - class 9
Ambient temperature for working conditions		from -20°C to 50°C (from -4°F to 122°F)

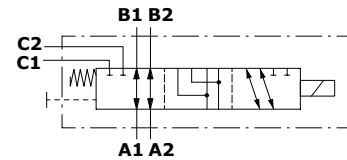
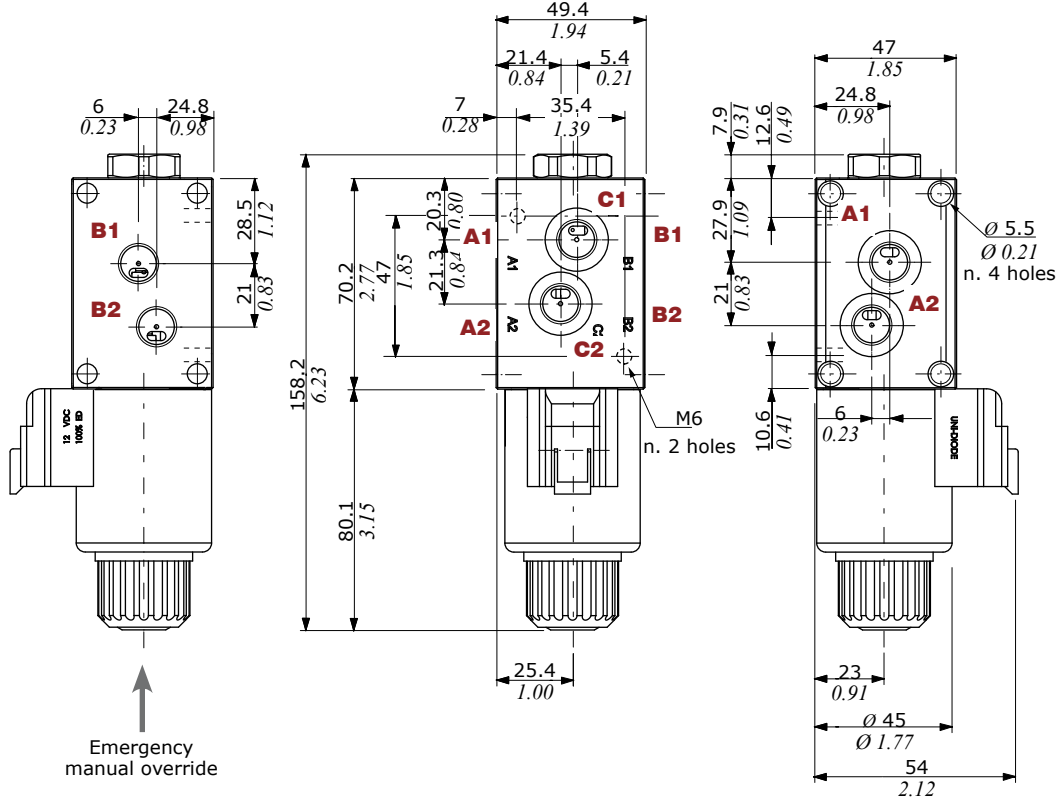
NOTE - For different working conditions please contact Sales Dept.

Available threads

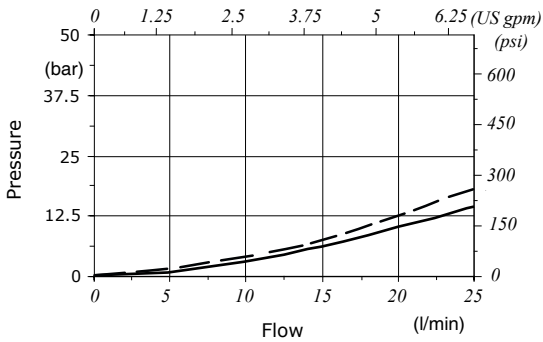
PORTS THREAD		
ALL PORTS	BSP	UN-UNF
DFE080	G 1/4	7/16-20 (SAE 4)
PILOT PORTS		
L	G 1/4	7/16-20 (SAE 4)

Dimensional data - hydraulic circuit - performance data

6 ways

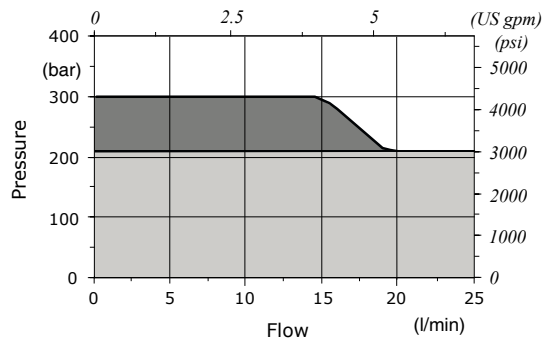


Pressure drop versus flow



— A1 → B1
 - - A1 → C1

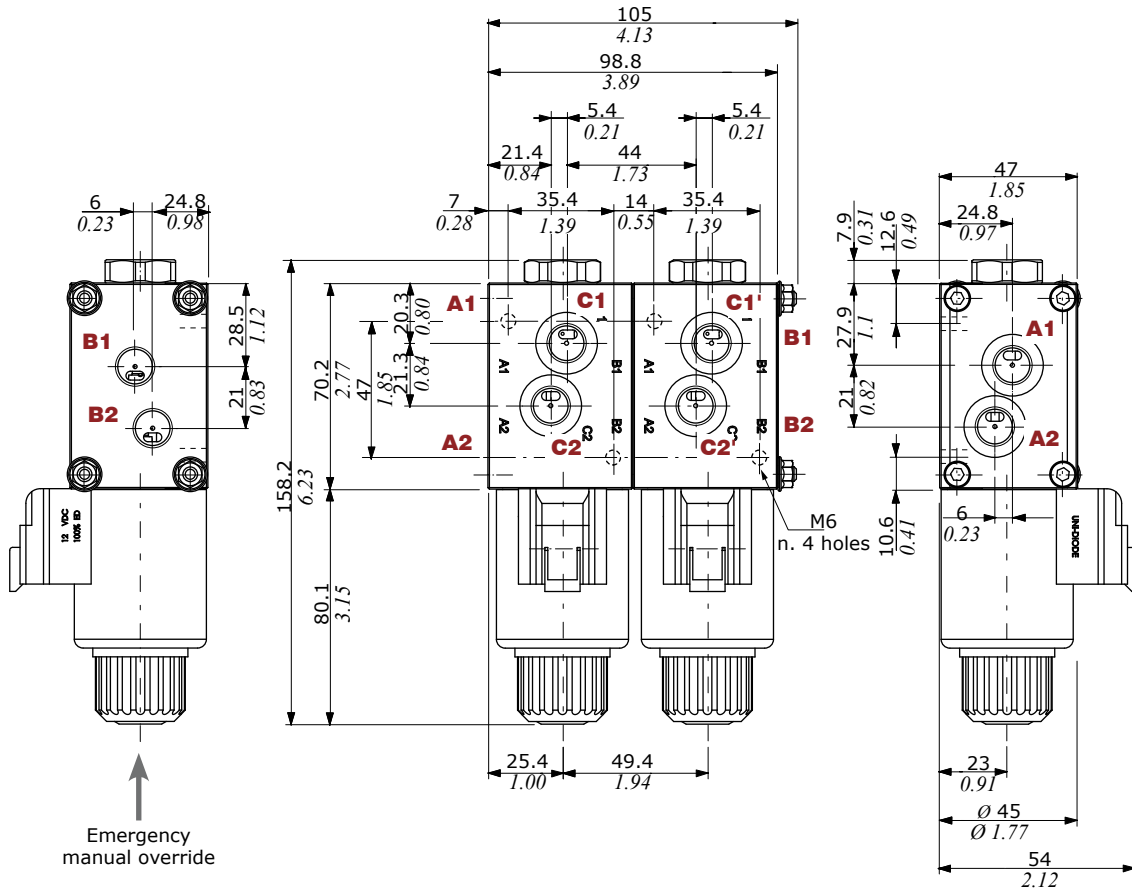
Minimum dynamic conditions
 (Supply = Vn-10%, coil at 70 °C - 158 °F)



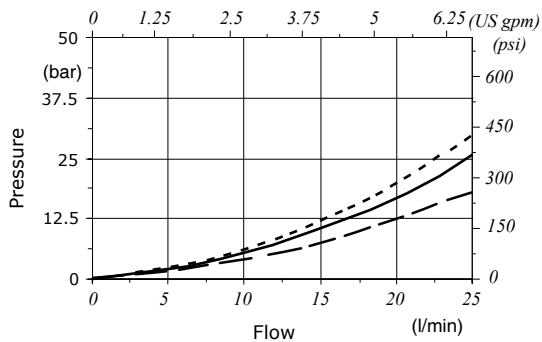
■ With drain
 ■ Without drain

Dimensional data - hydraulic circuit - performance data

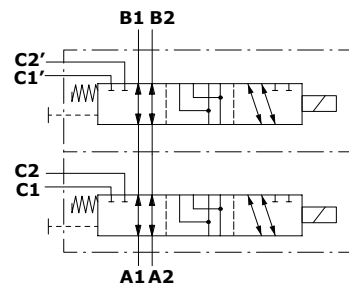
8 ways



Pressure drop versus flow

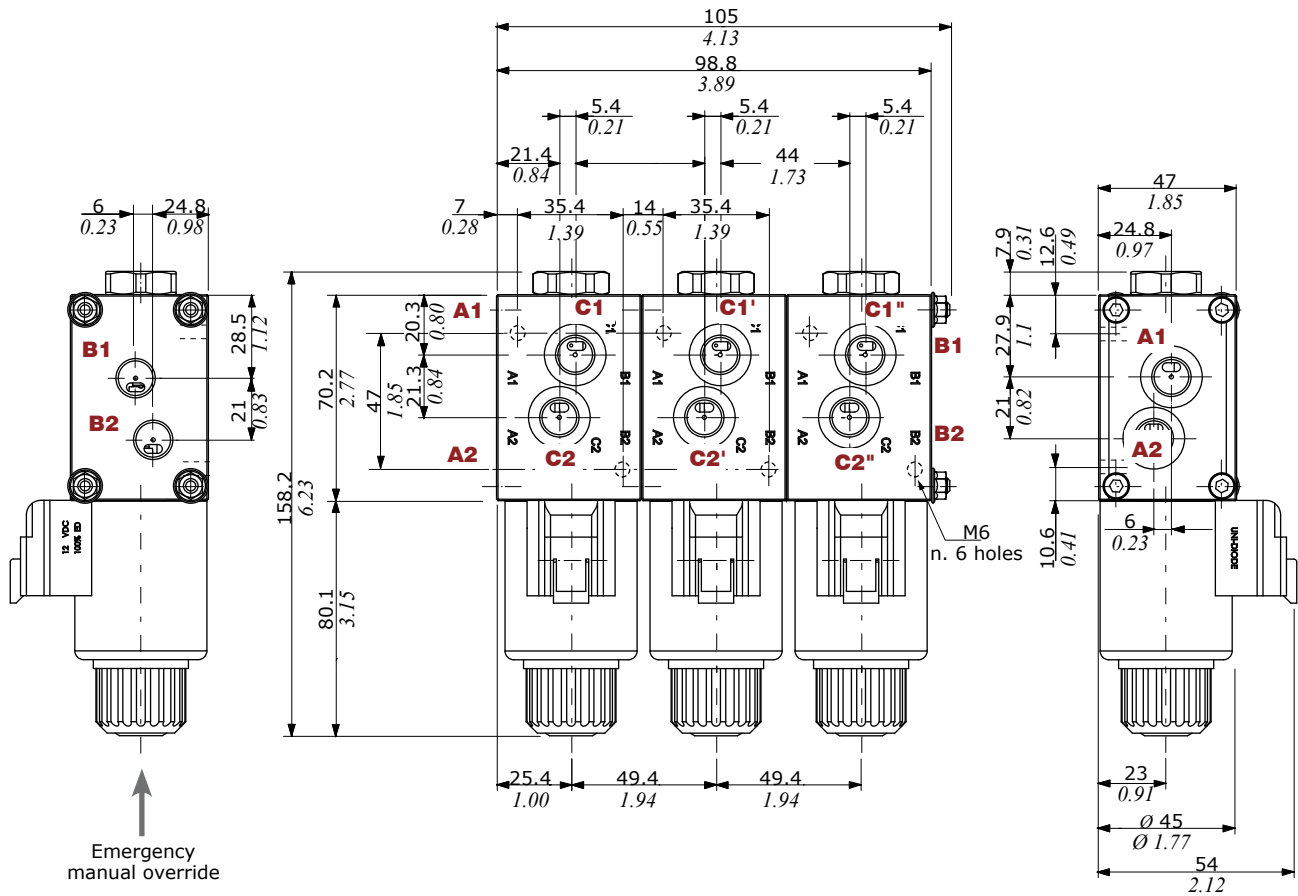


— A1 → B1' ····· A1 → C1'
 - - - A1 → C1

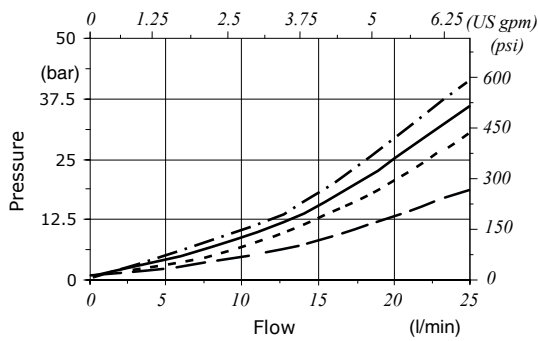


Dimensional data - hydraulic circuit - performance data

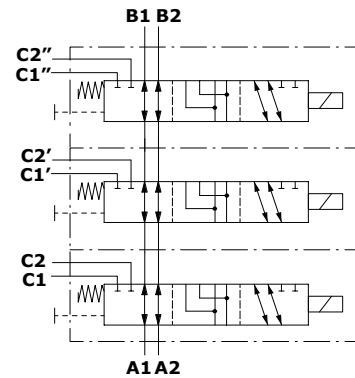
10 ways



Perdite di carico in funzione alla portata

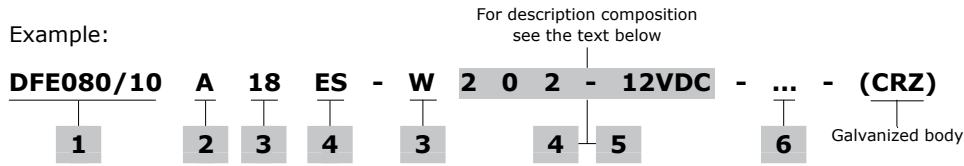


- A1 → B1'' A1 → C1'
- - A1 → C1 - · - · A1 → C1''



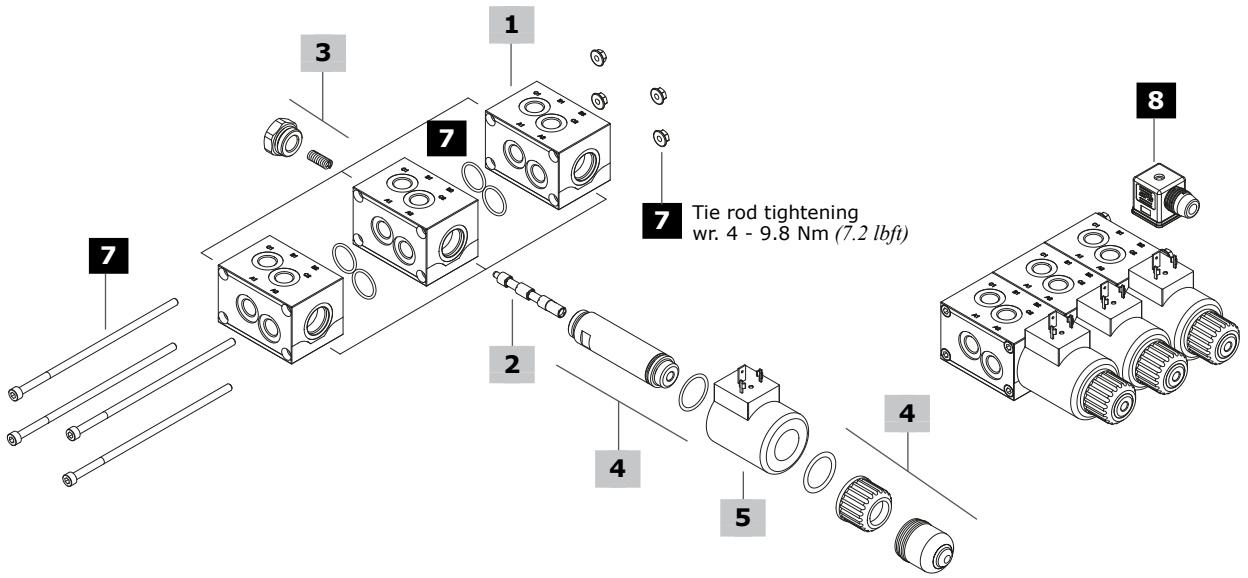
Part ordering codes

Example:



- Coil**
1 = without coil
2 = with coil
- Connection***
0 = ISO (Std)
2 = AMP-JPT
3 = Deutsch DT06
4 = Deutsch DT04-2P Male
5 = Deutsch DT04-4P Female
6 = Metri-Pack Female
7 = Metri-Pack Male
8 = WeatherPack Male
9 = WeatherPack Female
- Lenght cables**
(only if it's present)
Lenght is in mm
- Diode***
(text omitted if diode is not present)
DB = bidirectional diode
- Bellow**
1 = without bellow
2 = with bellow
- Coil voltage**

(*) - For diodes and connector options see coils table on page 130



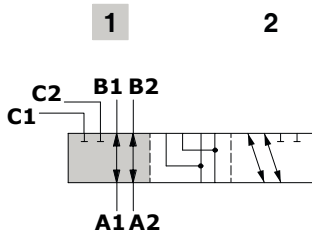
1 Body kit*			4 Solenoid kit page 129		
TYPE	CODE	DESCRIPTION	TYPE	CODE	DESCRIPTION
DFE080/6-8-10	3CO2208320	6 ways body kit	ES	5SOL515000	Tube assembly without protective bellow
			-	4ACC515	Optional assembly tube protective bellow
2 Spools page 128			5 Coil		
TYPE	CODE	DESCRIPTION	For list of available coils see pages 130		
A	3CAS108640	A1/A2 in B1/B2 in pos. 1. A1/A2 in C1/C2 in pos. 2. Ports connected in transit position	6 Body threading		
B	3CAS108740	A1/A2 in B1/B2 in pos. 1. A1/A2 in C1/C2 in pos. 2. Ports closed in transit position	Specify threading always when it is different from BSP standard		
H	3CAS108840	A1/A2 in B1/B2 in pos. 1. A1/A2 in C1/C2 in pos. 2. Port connected to drain in transit position	7 Tie rods kit and O-ring seals		
N	3CAS108940	As type A, for right inlet	CODE	DESCRIPTION	
3 Positioner kit page 129			5TIR080008	For DFE080/8 diverter valves	
TYPE	CODE	DESCRIPTION	5TIR080010	For DFE080/10 diverter valves	
18...W	5TAP007	Spring return in pos. 1	8 Accessories		
18...Y	5GIU016*	Spring return in pos. 1, with G1/4 drain port	For list of available connectors see pages 130		

(*) - Codes are referred to **BSP** thread

Spool circuits

Type A

A1/A2 in B1/B2 in pos. 1.
Ports connected in transit position

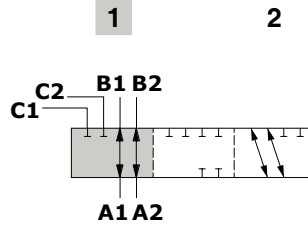


Spool stroke

Position 2: + 3.2 mm (0.12 in)

Type B

A1/A2 in B1/B2 in pos. 1.
Ports closed in transit position

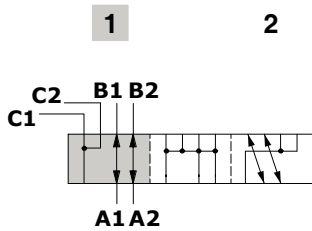


Spool stroke

Position 2: + 3.2 mm (0.12 in)

Type H

A1/A2 in B1/B2 in pos. 1.
Port connected to drain in transit position

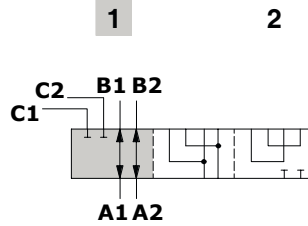


Spool stroke

Position 2: + 3.2 mm (0.12 in)

Type N

As type A, for right inlet



Spool stroke

Position 2: + 3.2 mm (0.12 in)

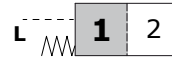
Positioner kit

With spring return in position 1

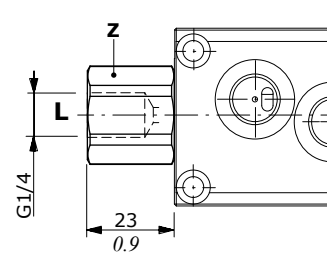
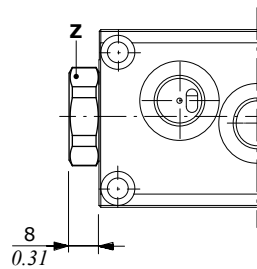
Type 18W
With plug



Type 18Y
With G1/4 drain port

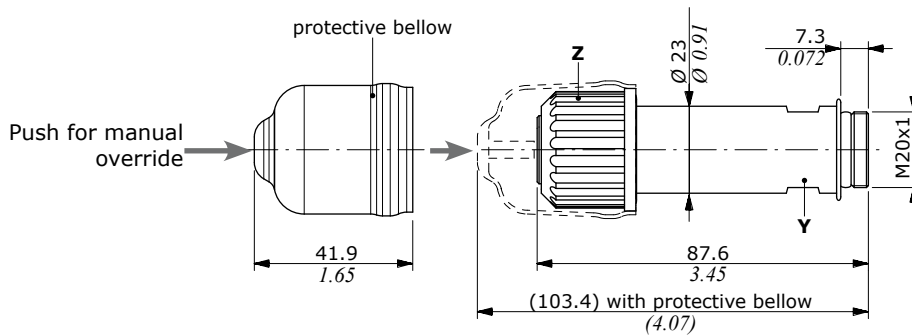


Wrenches and tightening torque
Z = wrench 24 - 42 Nm (31 lbf_t)



Solenoid kit

ES tube assembly kit



Wrenches and tightening torque
Y = wrench 20 - 20 Nm (14.7 lbf_t)
Z = 24 Nm (17.7 lbf_t)

Coils and accessories

Type	Voltage	Ordering codes					
		ISO4400	Deutsch DT	AMP JPT	Packard Weatherpack	Packard Metri-pack	Flying leads without connector
D15	12 VDC	4SOL515012	4SOL515011 ⁽²⁾ 4SOL515014A ⁽³⁻⁶⁾	4SOL515016 ⁽⁵⁾	-	-	-
	14 VDC	-	4SOL515014B ⁽³⁻⁶⁾	4SOL515016A ⁽⁵⁾	-	-	-
	24 VDC	4SOL515024	4SOL515025A ⁽³⁻⁶⁾ 4SOL515021 ⁽²⁾	-	-	-	-
	48 VDC	4SOL515048	-	4SOL515049 ⁽²⁾	-	-	-
	98 VDC	4SOL515098	-	-	-	-	-
	110 VDC	4SOL515110	-	-	-	-	-
Mating connectors		4CN1009995	5CON140031	5CON003	-	-	-

Notes: ⁽¹⁾ supply with AC and use only with rectifier connector - ⁽²⁾ with flying leads - ⁽³⁾ with bidirectional diode - ⁽⁴⁾ with unidirectional diode ⁽⁵⁾ integrated perpendicular type - ⁽⁶⁾ integrated parallel type

Features

Nominal voltage tolerance: ±10%

Nominal power.....: 38 W

12/14/24/48/98/110 VDC

Nominal current.....: 3.16 A @ 12 VDC

: 2.9 A @ 14 VDC

: 1.58 A @ 24 VDC

: 0.79 A @ 48 VDC

: 0.41 A @ 98 VDC

: 0.35 A @ 110 VDC

Insulation.....: Class H (180°C - 356°F)

Weather protection.....: IP65 - ISO4400

: IP69K - Deutsch DT

: IP65 - AMP JPT

Insertion.....: 100%

