



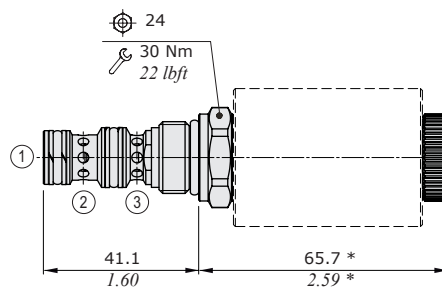
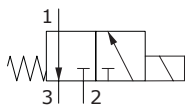
## EJ08G type directional solenoid valve - 3 way / 2 positions

- Direct acting
- Spool type
- Suitable for high pressure: 350 bar (5100 psi)

Technical specifications and diagrams are measured with mineral oil of 46 cSt viscosity at 40°C (104°F) temperature.

EJ08G		
Nominal flow		3 l/min (0.80 US gpm)
Max. pressure		350 bar (5100 psi)
Oil leakage	at 210 bar (3050 psi)	10 cm <sup>3</sup> /min (0.61 in <sup>3</sup> /min)
Fluid		mineral based oil
Viscosity		10-200 cSt
Max level of contamination		18/16/13 ISO4406
Fluid temperature	with NBR seals with FPM seals	from -20°C (-4°F) to 80°C (176°F) from -20°C (-4°F) to 100°C (212°F)
Environmental temp. for working conditions		from -20°C (-4°F) to 50°C (122°F)
Cavity		SAE 08/3
Coil type*		BT
Nominal voltages		12 VDC - 24 VDC ± 10%
Power rating		21 W
Weight		0.134 kg (0.29 lb)

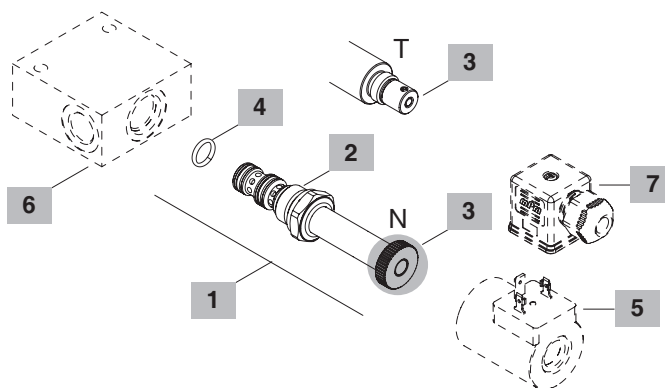
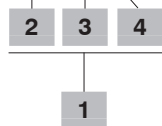
NOTE - For different conditions, please contact Walvoil Sales Dpt. - \*For coils further features see from page 206.



NOTE (\*): dimension for configuration **EJ08G/20NB**, for dimensions with different type of emergency see page 213.

### Ordering codes and description composition

#### EJ08G/20 NB



#### 1 Cartridges

TYPE	CODE	DESCRIPTION
<b>SAE cavity 08/3</b>		
<b>EJ08G/20NB</b>	0EJ08002035	Without emergency
<b>EJ08G/20TB</b>	0EJ08002042	Screw type emergency

#### 2 Spool

TYPE	DESCRIPTION
<b>2</b>	Spool 2

#### 3 Emergency

TYPE	DESCRIPTION
<b>N</b>	Without emergency
<b>T</b>	Screw type

#### 4 Seals

TYPE	DESCRIPTION
<b>B</b>	<b>NBR (Buna)</b> o-ring seals, std configuration
<b>V</b>	<b>FPM (Viton)</b> o-ring seals, contact Sales Dept.

#### 5 Coils

TYPE	CODE	DESCRIPTION
<b>BT 12VDC</b>	4SL3000120	12VDC-ISO4400 coil

For complete coils list see from page 206

#### 6 Valve body

TYPE	CODE	DESCRIPTION
<b>SAE 08/3-SAE6</b>	3CC0830J11	Aluminium body for cavity 08 valve, SAE6 std thread

Note: aluminium body can stand up to 210 bar (3050 psi)  
For steel bodies or different threading see from page 217

#### 7 Connector

TYPE	CODE	DESCRIPTION
<b>ISO4400</b>	4CN1009995	Connector

For complete connectors list see from page 206

### Rating diagrams

Pressure drop vs. flow

