



H series handle

- Ergonomic design
- Ergonomic handle made of thermoplastic material
- Available with different proportional and ON/OFF functions
- Available with or without "dead man" trigger

General features

Shell and plate material	Nylon®
IP weather protection (mounted)	IP44
Ambient temperature	from -20°C to 60°C / from -4°F to 140°F
UV resistance	according to IEC68-2-5, S test C procedure

Electric device features

H type ON/OFF push button

Version	spring return
Contact type	NA
Current rating	2 A resistive load @ 12 VDC
Mechanical life (nr. of operations)	10 ⁶
Electric life (nr. of operations)	200x10 ³
Operating force	0.8 N
Weather protection	IP50



HT type ON/OFF push button

Version	spring return
Contact type	NA
Current rating	2 A resistive load @ 12 VDC
Mechanical life (nr. of operations)	10 ⁶
Electric life (nr. of operations)	200x10 ³
Operating force	7.5 N
Weather protection	IP64



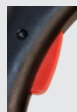
H type rocker switch

Version	spring return
Contact type	(on)/off/(on)
Current rating	2 A resistive load @ 12 VDC
Mechanical life (nr. of operations)	200x10 ⁵
Weather protection	IP44



"Dead man" trigger

Version	spring return
Contact type	NA
Current rating	2 A resistive load @ 12 VDC
Mechanical life (nr. of operations)	10 ⁶
Electric life (nr. of operations)	200x10 ³
Operating force	0.8 N
Weather protection	IP50



Proportional roller

Supply	8-32 VDC
Max. current consumption	< 24 mA
Max. output current	1 mA
Output signal (range)	0.5 - 4.5 V
Output signal (central position)	2.5V
Signal tolerance (central position and stroke end)	±100 mV
Minimum load	10 Ω
Actuator deflection angle	± 35° (±1°)
Mechanical life (nr. of operations)	10 ⁶
Operating force	2 N
Mechanical vibration	IEC 68-2
Mechanical shock	EN 60068-2-29 (pulse 400m/s ² x 6 ms, 100 times)
Weather protection	IP67-IP69K
EMC compatibility	ISO 13766 - ISO 14982



Rocker switch

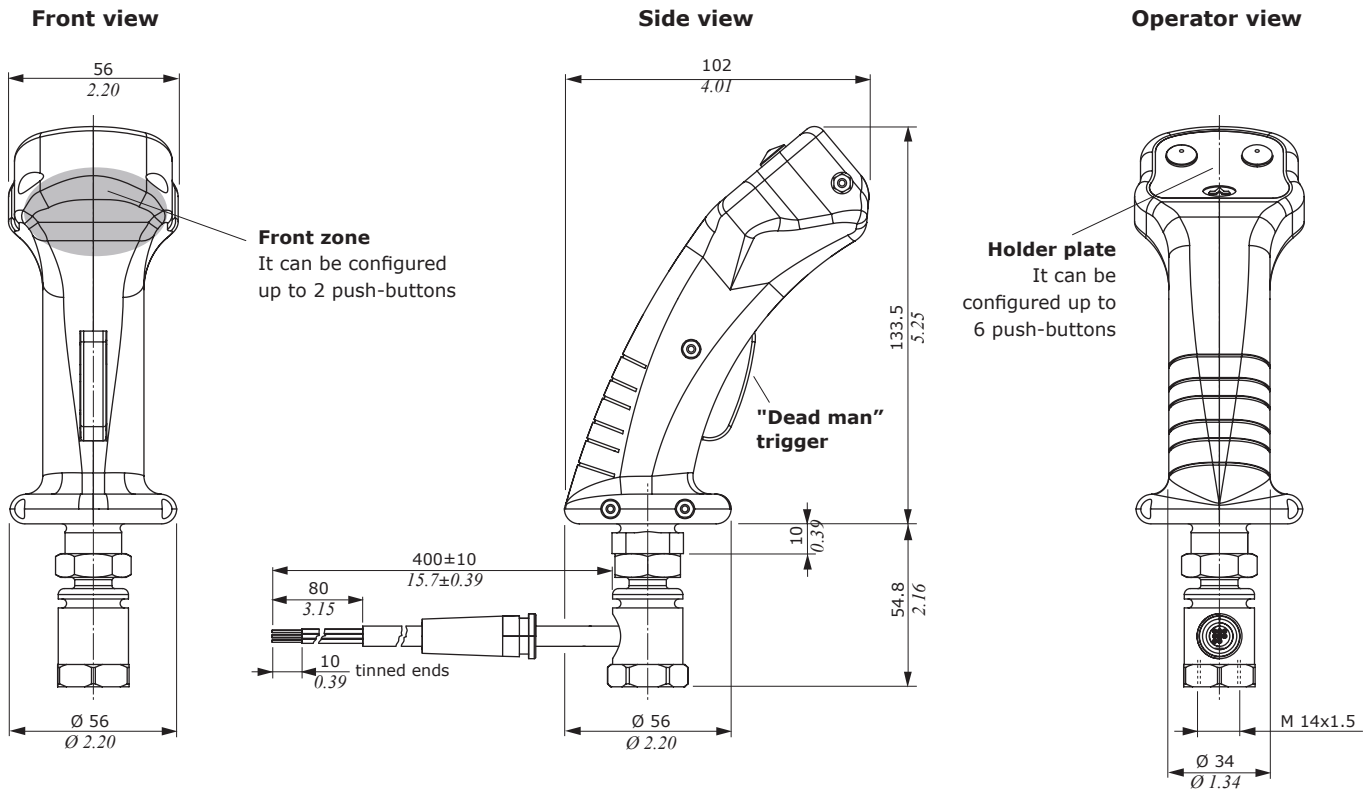
Version	with detent
Contact type	on/off
Current rating	2 A resistive load @ 12 VDC
Mechanical life (nr. of operations)	10 ⁵
Weather protection	IP44



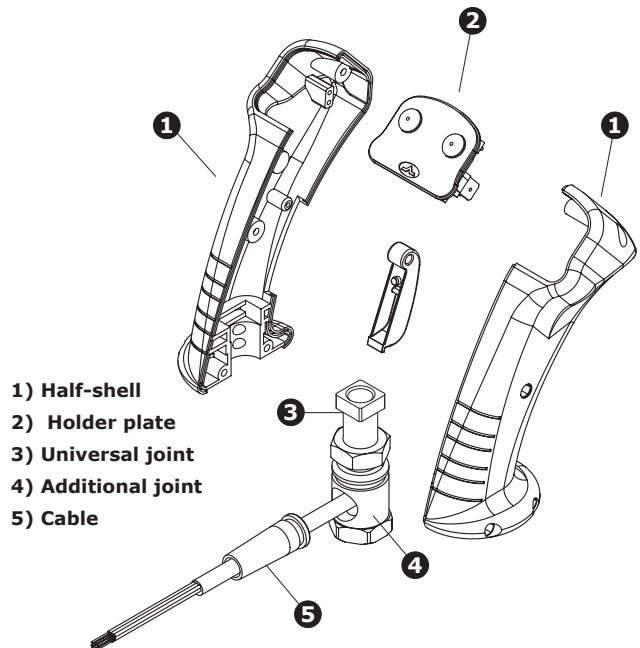
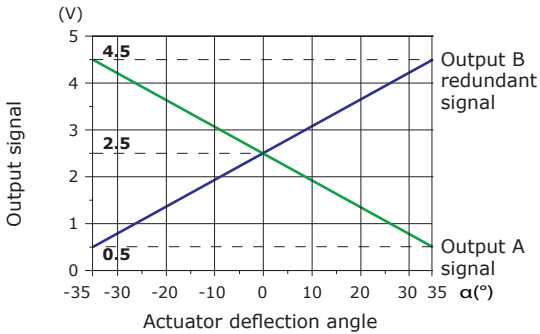
Cables

Conductor material	copper with tinned ends
Nr. of conductors	up to 12
Conductor section	from AWG16 to AWG20
Insulating material	PVC
Protective covering material	fireproof polyurethane

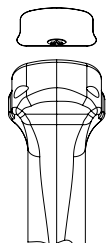
Dimensions



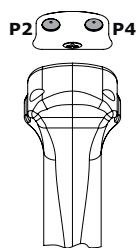
Proportional roller output detail



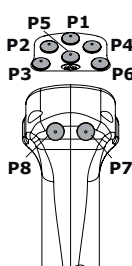
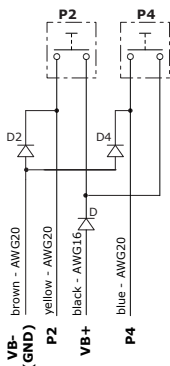
Without "dead man" trigger



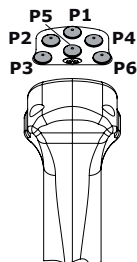
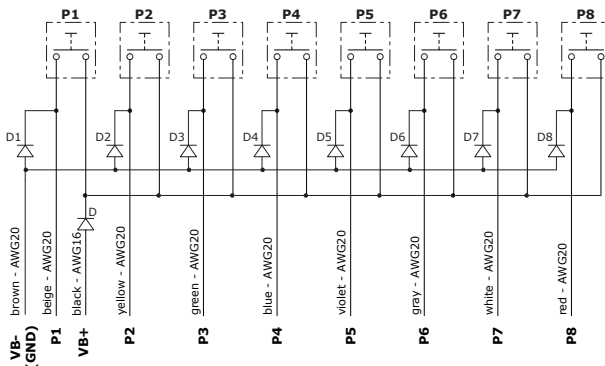
Code	2IM4000213
Description	HB009
Holder plate	-
Frontal zone	-
Joint	Standard for SVM400



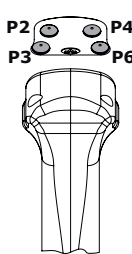
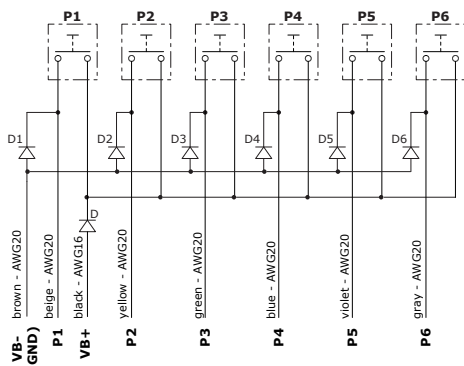
Code	2IM4000235
Description	HB029-2RD040-4RD040
Holder plate	2 push-buttons with spring return (P2-P4)
Frontal zone	-
Joint	Standard for SVM400-430 joystick



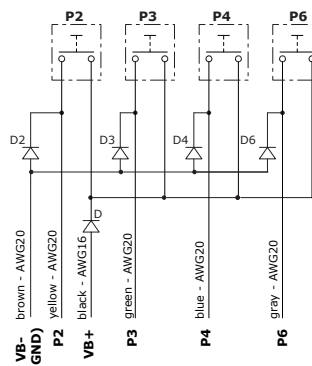
Code	2IM4200017
Description	HC069-1RD040-2RD040-3RD040-4RD040-5RD040-6RD040-7RD040-8RD040
Holder plate	6 push-buttons with spring return (P1...P6)
Frontal zone	2 push-buttons with spring return (P7-P8)
Joint	Standard for SVM400-430 joystick



Code	2IM4000201
Description	HB069-1RD040-2RD040-3RD040-4RD040-5RD040-6RD040
Holder plate	6 push-buttons with spring return (P1...P6)
Frontal zone	-
Joint	Standard for SVM400-430 joystick



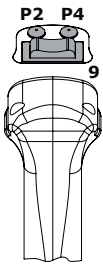
Code	2IM4000221
Description	HB049-2RD040-3RD040-4RD040-6RD040
Holder plate	4 push-buttons with spring return (P2-P3-P4-P6)
Frontal zone	-
Joint	Standard for SVM400-430 joystick



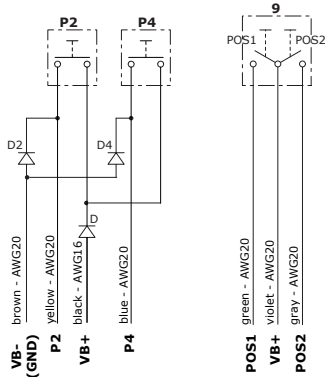
NOTE - For different joint see page 4.
For different handle configurations, contact our Sales Dept.

Configurations

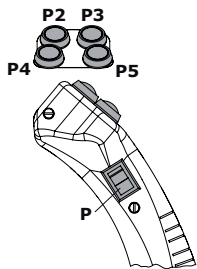
Without "dead man" trigger



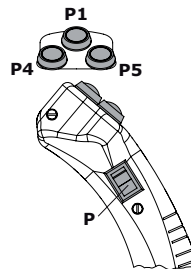
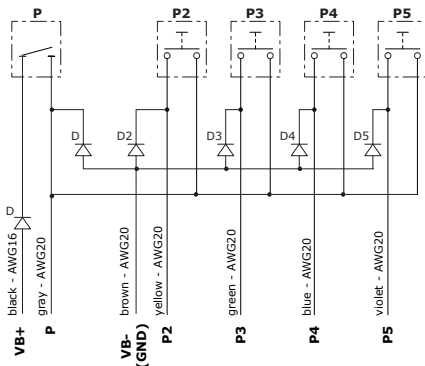
Code	2IM4000145
Description	HB529-2RD040-4RD040-9N040-CS
Holder plate	2 push-buttons with spring return (P1-P2), 1 rocker switch with spring return (9)
Frontal zone	-
Joint	Standard for SVM400-430 joystick



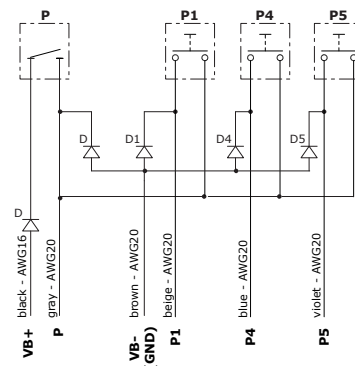
With ON/OFF switch



Code	2IM4700138
Description	HTPB049-PND040-2R1D040-3R1D040-4R1D040-5R1D040
Holder plate	4 push-buttons with spring return (P2-P3-P4-P5)
Frontal zone	ON/OFF switch (P)
Joint	Standard for SVM400-430 joystick

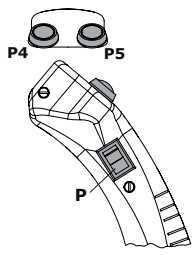


Code	2IM4700139
Description	HTPB039-PND040-1R1D040-4R1D040-5R1D040
Holder plate	3 push-buttons with spring return (P1-P4-P5)
Frontal zone	ON/OFF switch (P)
Joint	Standard for SVM400-430 joystick

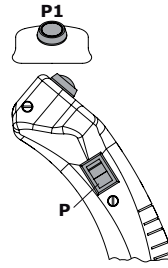
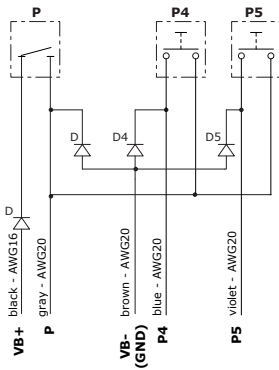


NOTE - For different joint see page 4.
For different handle configurations, contact our Sales Dept.

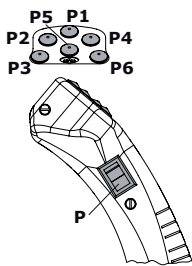
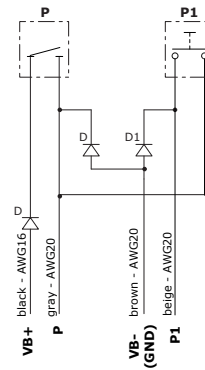
With ON/OFF switch



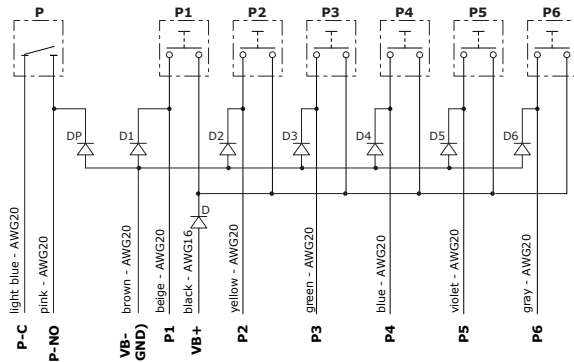
Code	2IM4700140
Description	HTPB029-PN040-4R1D040-5R1D040
Holder plate	2 push-buttons with spring return (P4-P6)
Frontal zone	ON/OFF switch (P)
Joint	Standard for SVM400-430 joystick



Code	2IM4700141
Description	HTPB019-PN040-1R2D040
Holder plate	1 push-button with spring return (P1)
Frontal zone	ON/OFF switch (P)
Joint	Standard for SVM400-430 joystick



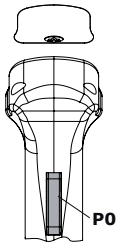
Code	2IM4000309
Description	HJ069-PN040-1RD040-2RD040-3RD040-4RD040-5RD040-6RD040
Holder plate	6 push-buttons with spring return (P1...P6)
Frontal zone	ON/OFF switch (P)
Joint	Standard for SVM400-430 joystick



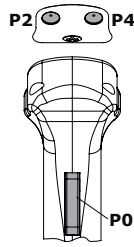
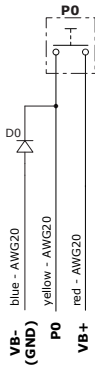
NOTE - For different joint see page 4.
For different handle configurations, contact our Sales Dept.

Configurations

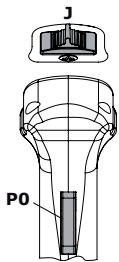
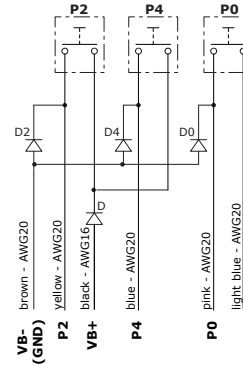
With "dead man" trigger



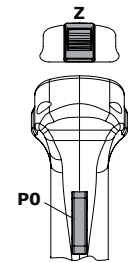
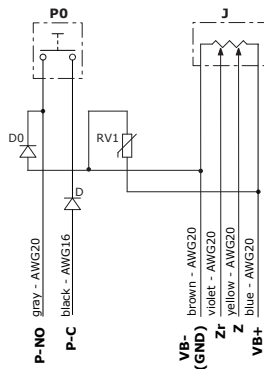
Code	2IM4100075
Description	HA009-0RD040
Holder plate	-
Frontal zone	"Dead man" trigger (P0)
Joint	Standard for SVM400-430 joystick



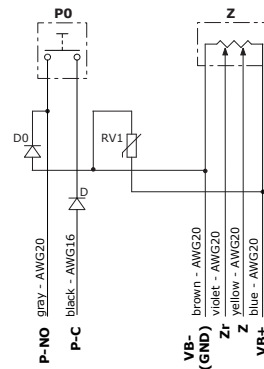
Code	2IM4100109
Description	HA029-0RD040-2RD040-4RD040
Holder plate	2 push-buttons with spring return (P2-P4)
Frontal zone	"Dead man" trigger (P0)
Joint	Standard for SVM400-430 joystick



Code	2IM4800022
Description	HZA9-0RD040-JN130040-(RV)
Holder plate	Proportional roller (J) with redundancy
Frontal zone	"Dead man" trigger (P0)
Joint	Standard for SVM400-430 joystick



Code	2IM4800023
Description	HZA9-0RD040-ZN130040-(RV)
Holder plate	Proportional roller (Z) with redundancy
Frontal zone	"Dead man" trigger (P0)
Joint	Standard for SVM400-430 joystick



NOTE - For different joint see page 4.
For different handle configurations, contact our Sales Dept.