



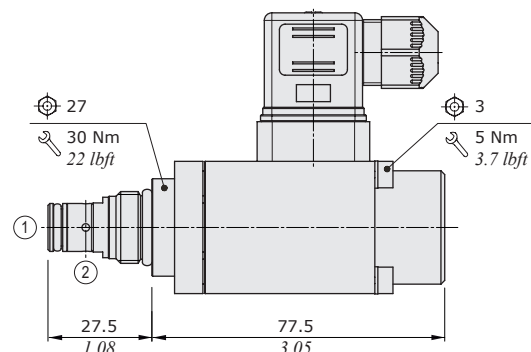
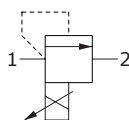
MC08Y type pressure relief valve - 2 way

- Solenoid proportional type, direct acting
- Increasing pressure with increasing current (NO)
- Poppet type

Technical specifications and diagrams are measured with mineral oil of 46 cSt viscosity at 40°C (104°F) temperature.

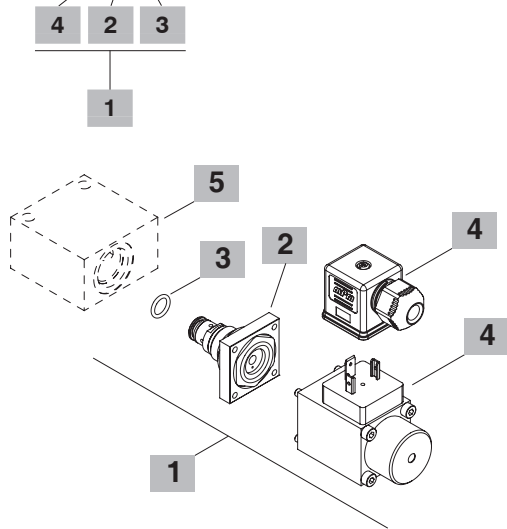
MC08Y		
Nominal flow		0.5 l/min (0.15 US gpm)
Max. flow		1 l/min (0.3 US gpm)
Max. pressure		350 bar (5100 psi)
Oil leakage	80% of max. pressure setting	2 cm ³ /min (0.122 in ³ /min)
Fluid		mineral based oil
Viscosity		10-200 cSt
Max level of contamination		18/16/13 ISO4406
Fluid temperature	with NBR seals with FPM seals	from -20°C (-4°F) to 80°C (176°F) from -20°C (-4°F) to 100°C (212°F)
Environmental temp. for working conditions		from -40°C (-40°F) to 100°C (212°F)
Cavity		SAE 08/2
Coil type*		MP35
Nominal voltages		12 VDC - 24V DC
Power rating		11.2 W (12 VDC) - 11.4 W (24 VDC)
Max control current		12 V -> 1.1 A - 24 V -> 0.68 A
Dither frequency		150 Hz
Hysteresis		≤5%
Weight		0.55 kg (1.212 lb)

NOTE - For different conditions, please contact Walvoil Sales Dpt. - For coils further features see from page 206.



Ordering codes and description composition

MC08Y/021B



1 Cartridges

TYPE	CODE	DESCRIPTION
MC08Y/021B	0MC08002013	Pressure range 1 , 12VDC
MC08Y/022B	0MC08002010	Pressure range 2 , 12VDC
MC08Y/023B	0MC08002011	Pressure range 3 , 12VDC
MC08Y/024B	0MC08002022	Pressure range 4 , 12VDC

2 Pressure range

TYPE	DESCRIPTION
1	Pressure range 10÷100 bar (145÷1450 psi)
2	Pressure range 50÷200 bar (725÷2900 psi)
3	Pressure range 80÷350 bar (1160÷5100 psi)
4	Pressure range 5÷40 bar (72.5÷580 psi)

3 Seals

TYPE	DESCRIPTION
B	NBR (Buna) o-ring seals, std configuration
V	FPM (Viton) o-ring seals, contact Sales Dept.

4 Coils and connectors

TYPE	CODE	DESCRIPTION
2) MP35 12VDC	5SL4000120	12VDC-ISO4400 coil
ISO4400	4CN1009995	Connector
4) MP35 24VDC	4SL4000240	24VDC-ISO4400 coil
ISO4400	4CN1009995	Connector

For complete coils and connectors list see from page 206

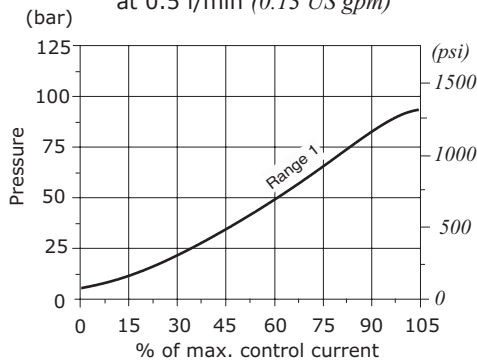
5 Valve body

TYPE	CODE	DESCRIPTION
SAE 08/2-SAE6	3CC0820J11	Aluminium body for cavity 08 valve, SAE6 std thread

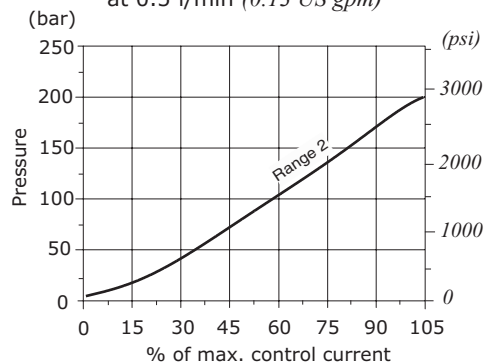
Note: aluminium body can stand up to 210 bar (3050 psi)
For steel bodies or different threading see from page 215

Rating diagrams

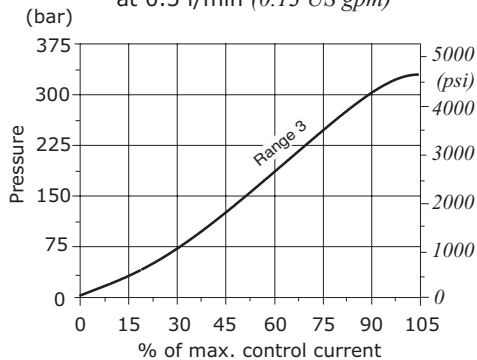
Pressure setting vs. % max. control current
at 0.5 l/min (0.13 US gpm)



Pressure setting vs. % max. control current
at 0.5 l/min (0.13 US gpm)



Pressure setting vs. % max. control current
at 0.5 l/min (0.13 US gpm)



Pressure setting vs. % max. control current
at 0.5 l/min (0.13 US gpm)

