



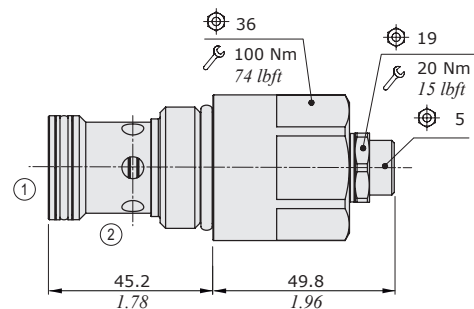
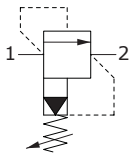
MP16M type pressure relief valve - 2 way

- Pilot operated
- Spool type
- SAE16 cavities

Technical specifications and diagrams are measured with mineral oil of 46 cSt viscosity at 40°C (104°F) temperature.

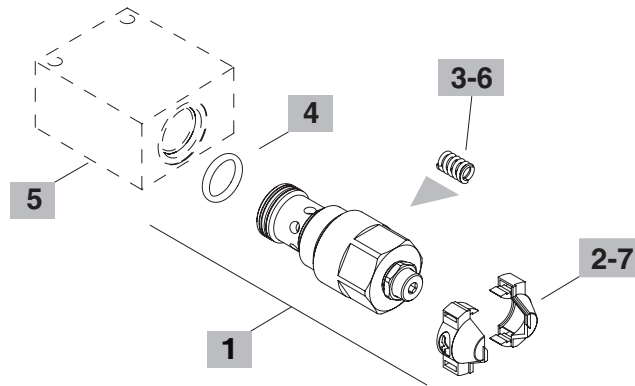
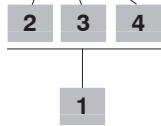
| MP16M | | |
|--|----------------------------------|---|
| Nominal flow | | 400 l/min (105.67 US gpm) |
| Max. pressure | | 350 bar (5100 psi) |
| Oil leakage | 80% of max. pressure setting | 100 cm ³ /min (6.102 in ³ /min) |
| Fluid | | mineral based oil |
| Viscosity | | 12-400 cSt |
| Max level of contamination | | 20/18/14 ISO4406 |
| Fluid temperature | with NBR seals with FPM seals | from -20°C (-4°F) to 80°C (176°F) from -20°C (-4°F) to 100°C (212°F) |
| Environmental temp. for working conditions | | from -20°C (-4°F) to 50°C (122°F) |
| Cavity | | SAE 16/2 |
| Weight | | 0.490 kg (1.080 lb) |

NOTE - For different conditions, please contact Walvoil Sales Dpt.



Ordering codes and description composition

MP16M/0Y2B



1 Cartridges

| TYPE | CODE | DESCRIPTION |
|------------------------|-------------|------------------|
| SAE cavity 16/2 | | |
| MP16M/0Y1B | OMP16002017 | Pressure range 1 |
| MP16M/0Y2B | OMP16002013 | Pressure range 2 |
| MP16M/0Y3B | OMP16002014 | Pressure range 3 |

2 Adjustments

| TYPE | DESCRIPTION |
|------|---|
| Y | With screw |
| X | Valve set with antitampering cap (part code: see point 7) |

3 Pressure range

| TYPE | DESCRIPTION |
|------|--|
| 1 | Pressure range 15÷50 bar (217.5÷725 psi) |
| 2 | Pressure range 50÷220 bar (725÷3190 psi) |
| 3 | Pressure range 150÷350 bar (2175÷5100 psi) |

4 Seals

| TYPE | DESCRIPTION |
|------|--|
| B | NBR (Buna) o-ring seals, std configuration |
| V | FPM (Viton) o-ring seals, contact Sales Dept. |

5 Valve body

| TYPE | CODE | DESCRIPTION |
|-----------------------|------------|--|
| SAE 16/2-SAE12 | 3CC1620M11 | Steel body for cavity 16 valve, SAE12 std thread |

Note: aluminium body can stand up to 210 bar (3050 psi)
For other bodies or different threading see from page 215

6 Springs

| TYPE | CODE | DESCRIPTION |
|------|------------|-------------------------------|
| 1 | 3ML1081400 | Pressure range 1 - white band |
| 2 | 3ML1081401 | Pressure range 2 - no band |
| 3 | 3ML1081402 | Pressure range 3 - red band |

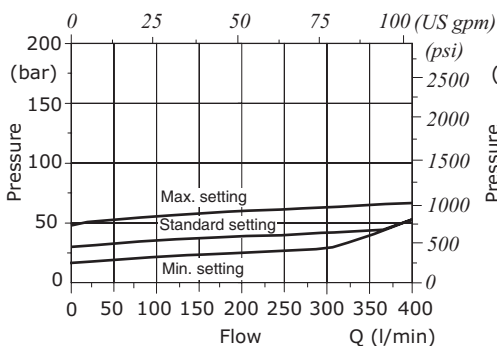
7 Accessories

| TYPE | CODE | DESCRIPTION |
|------|------------|------------------------|
| - | 4COP126300 | Antitampering cap (x2) |

Rating diagrams

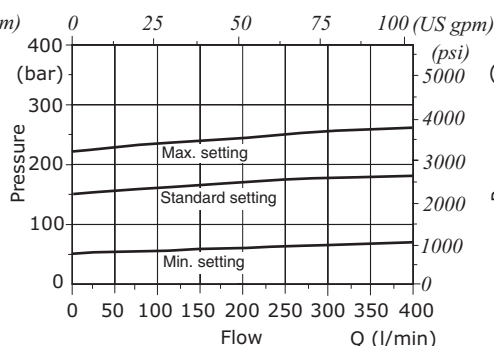
MP16M pressure vs. flow (range 1)

Std. setting at 5 l/min (1.32 US gpm)



MP16M pressure vs. flow (range 2)

Std. setting at 5 l/min (1.32 US gpm)



MP16M pressure vs. flow (range 3)

Std. setting at 5 l/min (1.32 US gpm)

