



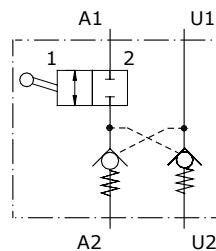
## Type VBPD/L/R pilot operated check valves

- Double acting
- Check valve by pass type

Technical specifications and diagrams are measured with mineral oil of 46 cSt viscosity at 40°C (104°F) temperature.

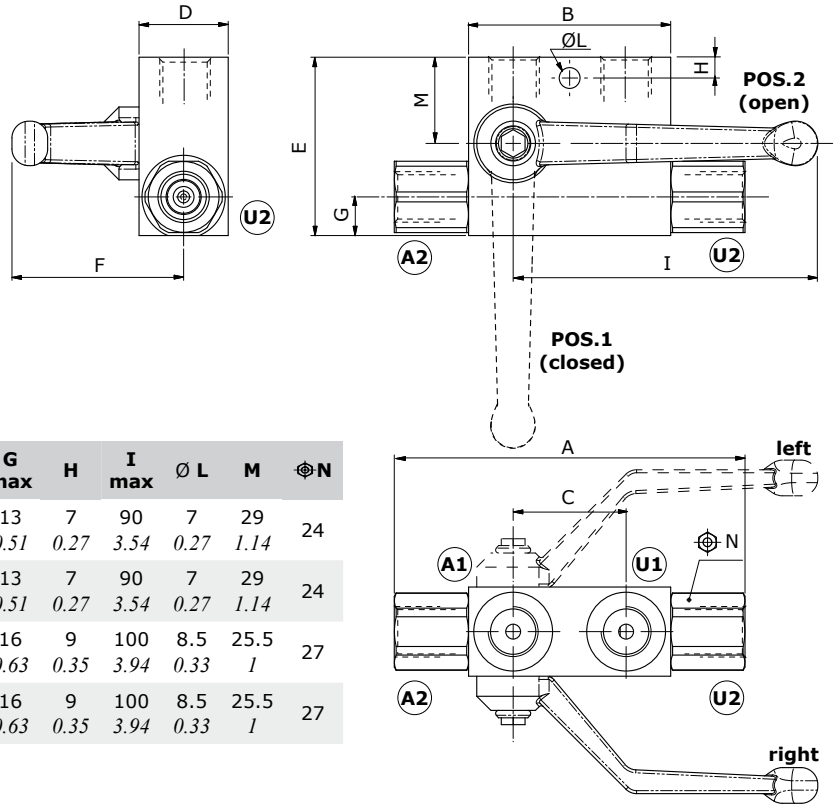
	<b>VBPD/L/R/..14</b>	<b>VBPD/L/VP/R/..38</b>	<b>VBPD/L/R/..38</b>	<b>VBPD/L/VP/R/..12</b>
Nominal flow	25 l/min (6.6 US gpm)	25 l/min (6.6 US gpm)	50 l/min (13.2 US gpm)	50 l/min (13.2 US gpm)
Max. pressure	350 bar (5100 psi)	350 bar (5100 psi)	300 bar (4350 psi)	300 bar (4350 psi)
Oil leakage	0.25 cm <sup>3</sup> /min (0.015 in <sup>3</sup> /min) at 210 bar (3050 psi)			
Fluid	mineral based oil			
Viscosity	from 10 to 200 cSt			
Max. level of contamination	18/16/13 ISO4406			
Fluid temperature	with NBR seals from -20°C (-4°F) to 80°C (176°F)			
Environmental temp. for working conditions	from -40°C (-40°F) to 100°C (212°F)			
Weight	steel	0.95 kg (2.09 lb)	0.95 kg (2.09 lb)	1.12 kg (2.47 lb)

NOTE - For different conditions, please contact Walvoil Sales Dpt.



### Dimension

Valve type	All ports
VBPDL/R/..14	G1/4
VBPDL/VP/R/..38	G3/8
VBPDL/R/..38	G3/8
VBPDL/VP/R/..12	G1/2



Dimensions are in mm-in

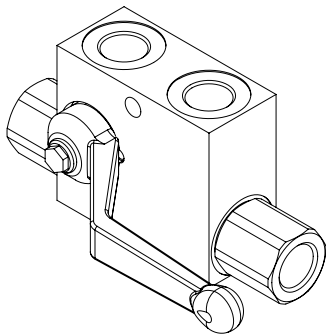
Valve type	A	B	C	D	E	F max	G max	H	I max	Ø L	M	⊕N
VBPDL/R/..14	118	68	38	30	60	65	13	7	90	7	29	24
	4.64	2.68	1.50	1.18	2.36	2.56	0.51	0.27	3.54	0.27	1.14	
VBPDL/VP/R/..38	118	68	38	30	60	65	13	7	90	7	29	24
	4.64	2.68	1.50	1.18	2.36	2.56	0.51	0.27	3.54	0.27	1.14	
VBPDL/R/..38	143	80	40	30	60	60	16	9	100	8.5	25.5	27
	5.63	3.15	1.57	1.18	2.36	2.36	0.63	0.35	3.94	0.33	1	
VBPDL/VP/R/..12	143	80	40	30	60	60	16	9	100	8.5	25.5	27
	5.63	3.15	1.57	1.18	2.36	2.36	0.63	0.35	3.94	0.33	1	

### Ordering codes and description composition

D - right  
S - left

Port size

**VBPDL/R/ D 14**



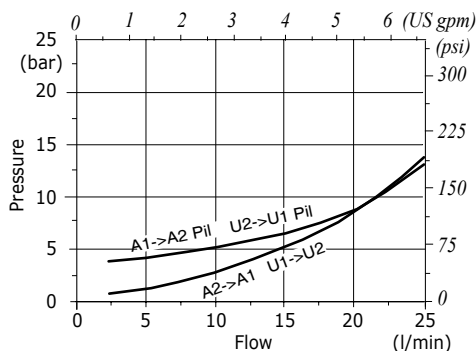
#### VBPDLR complete valves

TYPE	CODE	DESCRIPTION
<b>VBPDL/R/S 14/p4,5/Pa4/ac</b>	1425312100	Steel body, opening press. 4 bar (58 psi), pilot ratio 1:4.5, G1/4 ports, left lever
<b>VBPDL/R/D 14/p4,5/Pa4/ac</b>	1425312101	As previous with right lever
<b>VBPDL/R/S 38/p4/Pa4/ac</b>	1425322100	Steel body, opening press. 4 bar (58 psi), pilot ratio 1:4, G3/8 ports, left lever
<b>VBPDL/R/D 38/p4/Pa4/ac</b>	1425322101	As previous with right lever
<b>VBPDL/VP/R/S 38/p4,5/Pa4/ac</b>	1425322102	Steel body, opening press. 4 bar (58 psi), pilot ratio 1:4, G3/8 ports, left lever
<b>VBPDL/VP/R/D 38/p4,5/Pa4/ac</b>	1425322103	As previous with right lever
<b>VBPDL/VP/R/S 12/p4/Pa4/ac</b>	1425332100	Steel body, opening press. 4 bar (58 psi), pilot ratio 1:4, G1/2 ports, left lever
<b>VBPDL/VP/R/D 12/p4/Pa4/ac</b>	1425332101	As previous with right lever

For different configurations or SAE threads please contact our Sales Dpt.

### Rating diagram

VBPDL/R/..14 pressure drop vs. flow



VBPDLR/R/..38 pressure drop vs. flow

