

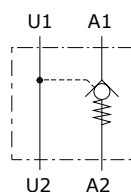
Type VRSE..A pilot operated check valves

- Single acting
- DIN 2353

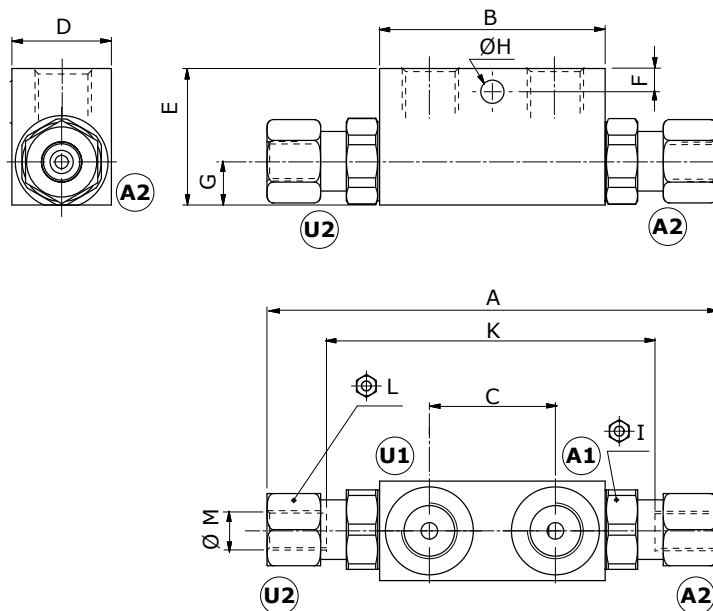
Technical specifications and diagrams are measured with mineral oil of 46 cSt viscosity at 40°C (104°F) temperature.

	VRSE01A	VRSE015A	VRSE02A	VRSE025A	VRSE03A	
Nominal flow	30 l/min (7.9 US gpm)	30 l/min (7.9 US gpm)	50 l/min (13.2 US gpm)	50 l/min (13.2 US gpm)	80 l/min (21.1 US gpm)	
Max. pressure	350 bar (5100 psi)	350 bar (5100 psi)	300 bar (4350 psi)	300 bar (4350 psi)	300 bar (4350 psi)	
Oil leakage	0.25 cm ³ /min (0.015 in ³ /min) at 210 bar (3050 psi)					
Fluid	mineral based oil					
Viscosity	from 10 to 200 cSt					
Max. level of contamination	18/16/13 ISO4406					
Fluid temperature	with NBR seals: from -20°C (-4°F) to 80°C (176°F)					
Environmental temp. for working conditions	from -40°C (-40°F) to 100°C (212°F)					
Weight	steel	0.67 kg (1.48 lb)	0.66 kg (1.45 lb)	0.97 kg (2.14 lb)	0.91 kg (2.01 lb)	1.67 kg (3.68 lb)

NOTE - For different conditions, please contact Walvoil Sales Dpt.



Dimensions



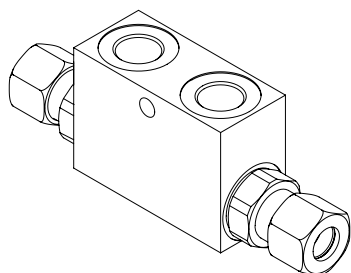
Valve type	A1-U1	A2-U2 (Ø M)
VRSE01A	G1/4	12-0.47
VRSE015A	G3/8	12-0.47
VRSE02A	G3/8	15-0.59
VRSE025A	G1/2	15-0.59
VRSE03A	G1/2	18-0.71

Dimensions are in mm-in

Valve type	A	B max.	C	D	E	F	G	ØH	ØI	ØL	K
VRSE01A	138-5.43	68-2.68	38-1.50	30-1.18	40-1.57	7-0.27	13-0.51	8-0.31	24	22	86-3.38
VRSE015A	138-5.43	68-2.68	38-1.50	30-1.18	40-1.57	7-0.27	13-0.51	8-0.31	24	22	86-3.38
VRSE02A	166-6.53	80-3.15	40-1.57	30-1.18	50-1.97	15-0.59	16-0.63	8.5-0.33	27	27	108-4.25
VRSE025A	166-6.53	80-3.15	40-1.57	30-1.18	50-1.97	15-0.59	16-0.63	8.5-0.33	27	27	108-4.25
VRSE03A	180-7.09	90-3.54	40-1.57	40-1.57	60-2.36	15-0.59	20-0.79	8.5-0.33	30	32	133-5.24

Ordering codes and description composition

VRSE 02 A
Port size



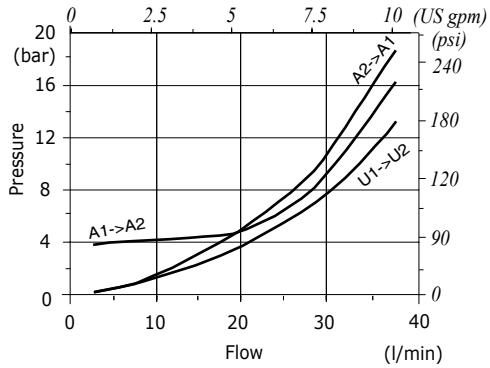
VRSE complete valves

TYPE	CODE	DESCRIPTION
VRSE01A	1410212100	Steel body, G1/4 port, pilot ratio 1:4.5, opening pressure 4 bar (58 psi)
VRSE015A	1410222100	Steel body, G3/8 port, pilot ratio 1:4.5, opening pressure 4 bar (58 psi)
VRSE02A	1410222101	Steel body, G3/8 port, pilot ratio 1:4, opening pressure 4 bar (58 psi)
VRSE025A	1410232100	Steel body, G1/2 port, pilot ratio 1:4, opening pressure 4 bar (58 psi)
VRSE03A	1410232101	Steel body, G1/2 port, pilot ratio 1:4, opening pressure 4 bar (58 psi)

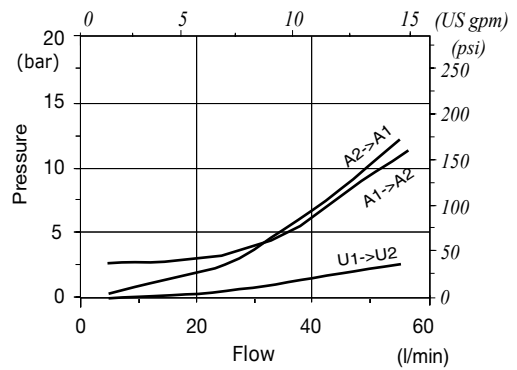
For different configurations or SAE thread please contact our Sales Dpt.

Rating diagrams

VRSE01A pressure drop vs. flow



VRSE02A pressure drop vs. flow



VRSE03A pressure drop vs. flow

